



PIAGGIO & C.s.p.a.



CATALOGUS RESERVEONDERDELEN



V7 Racer 750 2011

Voorvoegsel frame: ZGULWB00

Voorvoegsel motor:

V7

GU100



Inhoudsopgave

Afgewerkte producten.....	4
Alfanumerieke inhoudsopgave.....	5
FRAME.....	10
Tafel 33.01 - Frame I.....	10
Tafel 33.02 - Frame II.....	11
Tafel 33.03 - Lateral stand.....	12
Tafel 33.06 - Gear lever.....	13
Tafel 33.07 - Front fork I.....	14
Tafel 33.08 - Front fork II.....	15
Tafel 33.11 - Rear shock absorber.....	17
Tafel 33.12 - Fuel tank.....	18
Tafel 33.13 - Front body - Front mudguard.....	20
Tafel 33.14 - Saddle-Central bod.....	21
Tafel 33.15 - Rear body I- Mudguard.....	22
Tafel 33.16 - Rear body II- Plate holder.....	23
Tafel 33.17 - Dashboard.....	24
Tafel 33.18 - Handlebar - Controls.....	25
Tafel 33.19 - Front brake system.....	27
Tafel 33.20 - Fuel supply.....	28
Tafel 33.21 - Fuel pump.....	29
Tafel 33.22 - Air box.....	30
Tafel 33.23 - Exhaust unit.....	32
Tafel 33.24 - Front wheel.....	34
Tafel 33.25 - Rear wheel.....	35
Tafel 33.26 - Rear master cylinder.....	36
Tafel 33.27 - Rear brake caliper.....	38
Tafel 33.28 - Front lights.....	39
Tafel 33.29 - Rear lights.....	41
Tafel 33.30 - Electrical system I.....	42
Tafel 33.31 - Electrical system II.....	43
Tafel 33.32 - Lock hardware kit.....	45
Tafel 33.33 - Decal and plate set.....	46
Tafel 33.51 - Fuel vapour recover system.....	47
ENGINE.....	48
Tafel 34.09 - Transmission complete I.....	48
Tafel 34.10 - Transmission complete II.....	49
Tafel 34.34 - Crank-case.....	52
Tafel 34.35 - Timing system cover.....	54
Tafel 34.36 - Cylinder head.....	55
Tafel 34.37 - Crankshaft cpl.....	56
Tafel 34.38 - Timing system.....	57
Tafel 34.39 - Oil pump.....	59
Tafel 34.40 - Clutch I.....	61



Tafel 34.41 - Clutch II.....	62
Tafel 34.42 - Transmission cage.....	63
Tafel 34.43 - Gear box.....	64
Tafel 34.44 - Gear box selector.....	66
Tafel 34.45 - Generator - Regulator.....	67
Tafel 34.46 - Starter motor.....	68
Tafel 34.47 - Throttle body.....	69



Afgewerkte producten

Code	Geldigheid
GU9032178AUA01	
GU9032178CAB01	
GU9032178EUA00	
GU9032178EUA01	
GU9032178GBA00	
GU9032178GBA01	
GU9032178JPA00	
GU9032178JPA01	
GU9032178USB01	



Code	N.Tafel	Pos.	Code	N.Tafel	Pos.	Code	N.Tafel	Pos.
0000000	33.24	16	883802	33.18	10	898168	33.25	1
0000000	33.24	17	883852	33.21	5	898170	33.18	1
0000000	33.24	18	883870	33.23	1	898171	33.18	8
0000000	33.25	18	883871	33.23	2	898172	33.12	1
0000000	33.25	19	883877	34.45	1	898174	33.33	2
0000000	33.25	20	883878	34.45	2	898178	33.14	1
254485	33.14	16	883911	33.33	20	898179	33.13	7
290860	33.31	16	883912	33.33	21	898180	33.13	8
292022	33.28	9	883912	33.33	22	898270	33.14	20
292723	33.28	10	883930	33.33	19	898271	33.14	21
584332	33.28	15	883940	33.18	3	898277	33.14	10
584332	33.29	7	886141	33.33	10	898278	33.14	9
584509	33.31	24	886368	33.14	12	898280	33.16	6
599501	33.08	7	886369	33.12	3	898281	33.06	7
599502	33.08	9	886370	33.12	20	898281	33.26	27
599503	33.08	8	886581	33.01	17	898282	33.06	1
599504	33.08	6	886582	33.01	18	898283	33.06	3
639542	33.03	8	886617	33.12	18	898284	33.06	9
640201	33.31	5	886625	33.12	19	898285	33.26	30
640598	33.28	11	886630	33.11	3	898286	33.26	17
641541	34.39	8	886637	33.33	13	898287	33.26	12
672381	33.33	23	886638	33.33	12	898288	33.26	4
856062	33.51	7	886639	33.33	1	898611	33.06	12
856063	33.51	6	886640	33.33	9	898612	33.26	28
856064	33.51	11	886643	33.33	8	976600	34.34	1
856796	33.06	20	886644	33.33	14	976603	34.35	1
860138	33.51	10	886645	33.01	11	976604	34.34	12
883075	33.18	15	886665	33.06	13	976605	34.42	1
883077	33.30	1	886665	33.26	1	976606	34.42	17
883077	33.31	1	886666	33.26	9	976608	34.10	1
883161	33.31	12	886668	33.06	16	976685	34.34	16
883180	33.27	6	886675	33.11	1	976939	34.34	28
883182	33.32	1	886676	34.09	11	976940	34.42	21
883185	33.12	2	886677	33.07	1	976941	34.09	1
883185	33.32	3	886678	33.33	3	977088	33.03	1
883191	33.31	11	886681	33.24	2	977527	33.14	8
883192	33.27	7	886684	33.08	17	977527	33.32	4
883193	33.12	4	886706	33.14	15	978311	33.28	2
883252	33.12	12	886709	33.33	5	978323	33.19	15
883265	33.20	1	886711	33.25	2	978323	33.27	20
883295	33.14	5	886712	33.16	9	978385	33.23	12
883296	33.27	1	886713	33.16	10	978386	33.23	15
883303	33.19	13	886714	33.28	16	978387	33.23	4
883349	33.25	8	886724	33.13	10	978415	33.14	7
883350	33.25	7	886727	33.14	19	978415	33.32	9
883417	33.28	26	88673000Y02	33.13	1	978570	33.18	10
883469	33.12	1	88673100Y02	33.13	7	978662	33.28	2
883470	33.16	12	88673200Y02	33.16	6	978928	33.12	1
883471	33.03	1	886784	33.13	2	978930	33.20	2
883476	33.12	2	886820	33.14	22	978930	33.21	1
883476	33.32	3	886825	33.33	11	978938	34.47	19
883477	33.32	1	886830	34.36	9	978939	34.47	20
883478	33.28	5	886841	33.14	14	97894600Y02	33.15	1
883479	33.29	1	886842	33.08	21	978947	33.15	2
883480	33.16	15	887093	34.39	9	978949	33.16	1
883498	33.08	23	887205	33.12	1	97895015	33.29	1
883552	33.08	24	887206	33.33	5	978970	33.26	13
883581	33.19	2	887280	33.06	17	978974	33.08	19
883602	33.08	34	887445	33.12	1	978977	33.08	29
883688	33.24	10	896174	33.14	13	978978	33.08	4
883696	33.22	16	898082	33.01	1	981070	34.40	8
883697	33.22	15	898083	33.02	1	981149	33.28	12
883711	33.23	11	898084	33.02	2	AP8101594	33.26	20
883712	33.23	10	898086	33.07	7	AP8101595	33.12	15
883796	33.17	1	898118	33.24	5	AP8102159	33.22	25
883797	33.17	1	898120	33.25	11	AP8102239	33.22	30
883798	33.31	19	898167	33.24	1	AP8102375	33.26	19



Code	N.Tafel	Pos.	Code	N.Tafel	Pos.	Code	N.Tafel	Pos.
AP8102375	33.31	15	AP8150413	33.13	6	GU00823950050	33.26	21
AP8102378	33.51	25	AP8150413	33.22	3	GU01103860	33.01	13
AP8102524	33.03	4	AP8150421	33.31	33	GU01106090	33.21	2
AP8102678	33.51	1	AP8150436	33.02	12	GU01108490	33.21	4
AP8102688	33.51	2	AP8150468	33.26	29	GU01528930	34.10	9
AP8102766	33.22	10	AP8152138	33.06	21	GU01609630	33.18	14
AP8102766	33.51	21	AP8152166	34.44	15	GU01654630	33.19	17
AP8102913	33.14	3	AP8152220	33.02	11	GU01659130	33.19	11
AP8104242	33.22	8	AP8152268	33.16	18	GU01659131	33.19	12
AP8104251	33.22	24	AP8152273	33.16	11	GU01665410	33.26	6
AP8104525	33.22	13	AP8152273	33.20	3	GU01717430	33.30	8
AP8110053	33.06	22	AP8152277	33.19	3	GU01718330	33.30	6
AP8113004	33.19	14	AP8152277	33.31	23	GU01721600	33.30	13
AP8113004	33.27	8	AP8152278	33.15	3	GU01744200	33.28	18
AP8113288	33.26	16	AP8152278	33.28	13	GU02107100	33.12	11
AP8113553	33.26	23	AP8152279	33.15	9	GU03013800	33.23	8
AP8118490	33.18	24	AP8152281	34.45	12	GU03013800	34.47	10
AP8120116	33.51	8	AP8152286	33.24	11	GU03067730	34.10	19
AP8120246	34.09	10	AP8152287	33.02	13	GU03101600	33.12	7
AP8120531	33.14	18	AP8152288	33.02	15	GU03101720	33.12	5
AP8120615	33.22	14	AP8152291	33.12	9	GU03102200	33.12	6
AP8120708	33.30	10	AP8152298	34.47	6	GU03163330	33.31	3
AP8120772	33.22	11	AP8152299	33.15	15	GU03270300	33.15	7
AP8120876	33.22	23	AP8152299	33.27	10	GU03270300	33.26	34
AP8120912	33.06	2	AP8152299	33.51	5	GU03270300	33.27	22
AP8120912	33.26	2	AP8152300	33.02	14	GU03530529	33.08	2
AP8120952	33.22	1	AP8152300	33.27	13	GU03530530	33.08	1
AP8120965	33.12	13	AP8152306	33.16	5	GU03530551	33.08	12
AP8120965	33.51	17	AP8152320	33.06	6	GU03604845	33.19	8
AP8121014	33.03	3	AP8152320	33.26	33	GU03605645	33.19	9
AP8121032	33.17	7	AP8152329	33.15	11	GU03609600	33.18	14
AP8121072	33.23	22	AP8152329	33.22	18	GU03631250	33.24	4
AP8121307	33.07	4	AP8152329	33.22	22	GU03631250	33.25	9
AP8121367	33.02	10	AP8152329	33.31	20	GU03658201	33.27	16
AP8121375	33.03	2	AP8152329	33.31	8	GU03658330	33.27	17
AP8121420	33.14	6	AP8152339	33.16	8	GU03658330	33.51	12
AP8121420	33.32	8	AP8152385	33.19	16	GU03658430	33.27	14
AP8121607	33.03	2	AP8201358	33.22	2	GU03660145	33.19	1
AP8121927	33.26	3	AP8201358	33.51	23	GU03661145	33.19	6
AP8121929	33.16	7	AP8210007	33.06	18	GU03664045	33.19	7
AP8124528	33.31	22	AP8212588	33.30	11	GU03740930	33.29	2
AP8124718	33.16	13	AP8213028	33.18	23	GU03744760	33.28	19
AP8124869	33.31	28	AP8213057	33.26	15	GU03749845	33.19	5
AP8124936	33.30	2	AP8220283	33.31	29	GU03922280	34.09	23
AP8127346	33.31	17	AP8220460	33.07	6	GU03995730	33.33	15
AP8133643	33.26	14	AP8220546	33.31	27	GU04000500	34.34	10
AP8133873	33.26	22	AP8221114	33.51	16	GU05107430	33.21	3
AP8134378	33.23	18	AP8221172	33.01	16	GU05112830	34.47	2
AP8134448	33.16	2	AP8221172	33.18	29	GU05659230	33.19	10
AP8134640	33.26	35	AP8221197	33.03	5	GU05730730	34.46	1
AP8144038	33.22	31	AP8221277	33.06	10	GU05781630	33.16	20
AP8144046	33.31	25	AP8221297	33.23	30	GU05900130	33.33	6
AP8144071	33.23	16	AP8224164	33.16	3	GU06740200	33.28	12
AP8144071	34.36	23	AP8224462	33.31	30	GU06740400	33.28	17
AP8144081	33.07	5	AP8257609	33.33	18	GU06751600	33.28	5
AP8144146	33.07	3	AP8257742	33.33	16	GU06751600	33.29	5
AP8144538	33.31	7	AP8257794	33.33	17	GU06751601	33.29	5
AP8144606	33.01	15	AP9100477	33.06	15	GU10054100	34.43	12
AP8149034	33.16	17	AP9100477	33.26	31	GU10214300	34.43	27
AP8150026	33.06	19	CM001928	33.07	9	GU10214301	34.43	27
AP8150044	33.06	14	CM001929	33.07	8	GU10214302	34.43	27
AP8150044	33.26	25	CM2271024	33.31	19	GU10214303	34.43	27
AP8150115	33.06	5	GU00823923140	33.03	7	GU10214304	34.43	27
AP8150115	33.26	26	GU00823923140	33.22	32	GU10214305	34.43	27
AP8150137	33.06	4	GU00823923140	33.51	22	GU10528900	34.34	15
AP8150248	33.16	19	GU00823931055	33.28	25	GU10528900	34.40	13
AP8150349	33.32	6	GU00823944050	33.12	16	GU10528900	34.42	23



Code	N.Tafel	Pos.	Code	N.Tafel	Pos.	Code	N.Tafel	Pos.
GU12003702	34.34	20	GU19207220	34.42	11	GU23548080	34.09	8
GU12022600	34.10	6	GU19212900	34.43	15	GU23548180	34.09	9
GU12022600	34.42	24	GU19213720	34.43	17	GU23943410	33.08	31
GU12087001	34.41	9	GU19213760	34.41	15	GU27001136	34.35	7
GU12154200	34.34	23	GU19214660	34.43	11	GU27004985	34.34	18
GU12154200	34.42	12	GU19215460	34.43	3	GU27020820	34.37	21
GU13021900	34.34	26	GU19234600	34.44	2	GU27022060	34.36	19
GU13021900	34.36	12	GU19237800	34.42	13	GU27037521	34.38	4
GU14086000	34.41	10	GU19327601	34.09	5	GU27060860	34.37	15
GU14086100	34.41	7	GU19328801	34.09	3	GU27061286	34.37	13
GU14090201	34.41	1	GU19350700	34.10	22	GU27061385	34.37	14
GU14090400	34.41	2	GU19351100	34.10	4	GU27061585	34.37	3
GU14217901	34.40	6	GU19351900	34.10	2	GU27061885	34.37	17
GU14217901	34.42	7	GU19352300	34.10	23	GU27062060	34.37	6
GU14217901	34.44	17	GU19353500	34.10	24	GU27065660	34.37	7
GU14609650	33.30	17	GU19355200	34.10	35	GU27066460	34.37	9
GU14609650	33.31	34	GU19355202	34.10	36	GU27066560	34.37	8
GU14609650	33.51	24	GU19355300	34.10	33	GU27152885	34.34	22
GU14615901	33.13	5	GU19355301	34.10	33	GU27153085	34.39	14
GU14615901	34.09	20	GU19355302	34.10	33	GU27210760	34.41	12
GU14615901	34.37	5	GU19355303	34.10	33	GU27530510	33.08	25
GU14616150	33.24	15	GU19355304	34.10	33	GU27633910	33.25	4
GU14616150	33.25	10	GU19355305	34.10	33	GU28157950	33.51	20
GU14717600	33.30	7	GU19355306	34.10	33	GU28252060	33.02	8
GU18144350	34.39	16	GU19355307	34.10	33	GU28576591	33.12	23
GU18161150	34.39	21	GU19355308	34.10	33	GU28576591	33.15	4
GU18257551	33.26	8	GU19355309	34.10	33	GU28576591	33.28	20
GU19001200	34.35	2	GU19355320	34.10	27	GU28576591	34.45	13
GU19002020	34.35	5	GU19355321	34.10	27	GU28742562	33.31	18
GU19002020	34.42	16	GU19355322	34.10	27	GU29108550	33.51	19
GU19003602	34.34	13	GU19355323	34.10	27	GU29217960	34.45	7
GU19003800	34.34	8	GU19355324	34.10	27	GU29711460	34.45	5
GU19007700	34.35	10	GU19355325	34.10	27	GU29711960	34.45	11
GU19007700	34.45	8	GU19355326	34.10	27	GU29729461	33.31	2
GU19015020	34.34	5	GU19355327	34.10	27	GU29732550	33.31	26
GU19016320	34.34	9	GU19355328	34.10	27	GU29759150	33.18	17
GU19017000	33.02	4	GU19355329	34.10	27	GU30027931	33.31	32
GU19018920	34.39	10	GU19355400	34.10	21	GU30103730	33.12	14
GU19021360	34.36	18	GU19355402	34.10	21	GU30103730	33.51	18
GU19021920	34.36	7	GU19355404	34.10	21	GU30109330	33.23	24
GU19023700	34.36	10	GU19355406	34.10	21	GU30525861	33.08	11
GU19025280	33.23	5	GU19355408	34.10	21	GU30526761	33.08	5
GU19025300	34.36	6	GU19355410	34.10	21	GU30576100	33.22	19
GU19025460	33.23	6	GU19355411	34.10	21	GU30577800	33.29	13
GU19027500	34.38	15	GU19355412	34.10	21	GU30577800	34.47	22
GU19030500	34.38	7	GU19355413	34.10	21	GU30601060	33.18	25
GU19032080	34.38	10	GU19356700	34.10	30	GU30602500	33.18	22
GU19032980	34.36	17	GU19356760	34.41	16	GU30714201	34.45	3
GU19032980	34.38	14	GU19356801	34.10	28	GU30716500	33.30	3
GU19034000	34.38	8	GU19357660	34.10	25	GU30729330	33.31	31
GU19037820	34.36	8	GU19547000	34.09	12	GU30970200	33.33	7
GU19045861	34.38	25	GU20036020	34.38	1	GU31003766	34.10	8
GU19055700	34.38	23	GU20036120	34.38	2	GU31003766	34.34	14
GU19058021	34.38	19	GU20085720	34.41	13	GU31003766	34.40	19
GU19058220	34.38	20	GU20147710	34.39	17	GU31003766	34.42	26
GU19061063	34.37	12	GU20147810	34.39	3	GU31016050	34.39	20
GU19062261	34.37	4	GU20148410	34.39	4	GU31037015	34.38	13
GU19065400	34.37	2	GU20148610	34.39	5	GU31038015	34.38	5
GU19067700	34.37	18	GU20208520	34.44	9	GU31045015	34.38	26
GU19083462	34.40	2	GU20352421	34.10	31	GU31112965	33.22	33
GU19146422	34.39	1	GU20355121	34.10	34	GU31121880	33.23	9
GU19149800	34.39	18	GU23200370	34.42	10	GU31150950	34.39	26
GU19152200	34.39	11	GU23211372	34.43	8	GU31159050	34.39	15
GU19201120	34.42	15	GU23217800	34.38	3	GU31327783	34.09	2
GU19202320	34.42	9	GU23328081	34.09	7	GU31438765	33.15	12
GU19203460	34.40	11	GU23442210	33.06	11	GU31439565	33.13	4
GU19206501	34.10	10	GU23442210	33.26	11	GU31513480	33.08	20

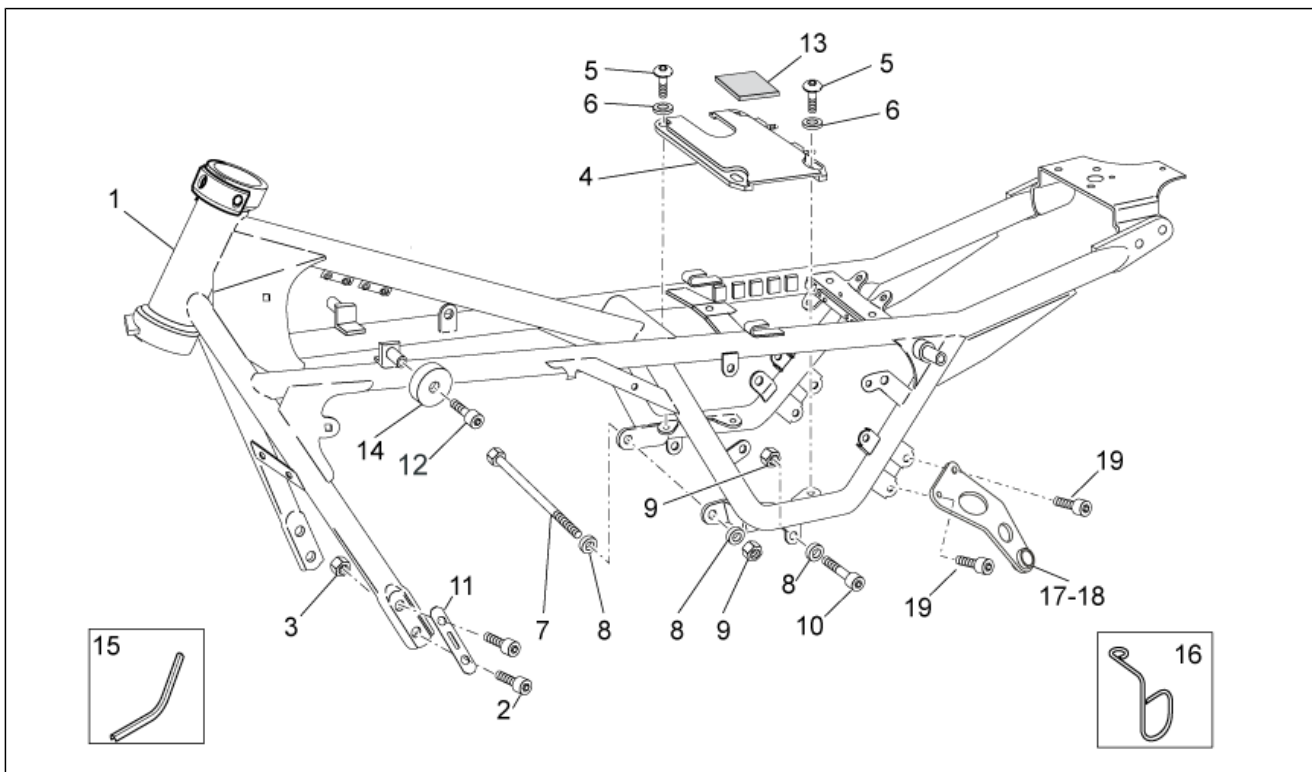


Code	N.Tafel	Pos.	Code	N.Tafel	Pos.	Code	N.Tafel	Pos.
GU31544181	34.09	15	GU32214810	34.43	21	GU32753760	33.29	6
GU31547882	34.09	14	GU32215010	34.43	22	GU32768710	34.39	8
GU31613381	33.25	12	GU32215210	34.43	23	GU32768810	34.39	9
GU31614183	33.24	9	GU32231010	34.44	5	GU32781910	33.16	16
GU31615260	33.24	6	GU32231210	34.44	4	GU32782510	33.32	2
GU31616384	33.24	12	GU32233010	34.44	6	GU32909960	33.33	4
GU31634281	33.27	4	GU32234110	34.44	13	GU32999010	34.34	25
GU31634481	33.25	15	GU32234410	34.44	1	GU32999510	34.34	24
GU31654681	33.27	2	GU32234710	34.44	11	GU35214300	34.09	13
GU31659181	33.27	11	GU32234810	34.44	12	GU39094200	33.18	18
GU31659281	33.27	12	GU32234910	34.44	16	GU39238100	34.43	25
GU31712365	34.45	9	GU32235710	34.44	14	GU49609601	33.30	17
GU31717061	33.30	9	GU32236210	34.44	8	GU49609601	33.31	34
GU32001610	34.35	6	GU32238210	34.44	10	GU53429500	33.02	3
GU32022110	34.36	1	GU32251610	33.06	8	GU61027200	34.37	20
GU32022210	34.36	2	GU32350410	34.10	13	GU61036801	34.36	3
GU32032310	34.38	11	GU32351410	34.10	16	GU61038100	34.38	6
GU32051710	34.38	27	GU32354610	34.10	18	GU61054900	34.38	18
GU32053410	34.38	16	GU32418210	33.31	6	GU61108500	33.22	29
GU32054510	34.38	17	GU32418260	33.01	4	GU61270300	34.10	26
GU32060110	34.37	19	GU32431310	33.02	9	GU61270300	34.34	6
GU32060210	34.37	10	GU32432711	33.03	11	GU61270300	34.36	21
GU32060610	34.37	16	GU32433011	33.03		GU61270300	34.40	17
GU32060710	34.37	11	GU32439260	33.51	3	GU66103415	33.01	14
GU32064110	34.37	1	GU32461610	33.14	2	GU90271018	34.38	12
GU32067910	34.40	5	GU32506360	33.28	1	GU90271117	34.43	29
GU32080310	34.40	1	GU32517710	33.31	9	GU90271121	34.43	19
GU32084410	34.40	4	GU32525410	33.08	10	GU90271124	34.43	4
GU32112510	34.47	1	GU32526310	33.08	16	GU90272023	34.09	4
GU32112610	34.47	16	GU32526610	33.08	15	GU90272075	34.40	3
GU32112611	34.47	17	GU32530502	33.08	13	GU90274026	34.44	3
GU32113410	33.22	17	GU32530503	33.08	14	GU90353009	34.36	4
GU32113510	33.22	5	GU32530504	33.08	28	GU90353029	34.38	24
GU32114011	33.22	12	GU32530505	33.08	22	GU90353030	34.10	17
GU32114110	33.22	9	GU32530509	34.47	5	GU90400616	34.41	11
GU32114310	34.47	14	GU32530610	33.08	32	GU90402538	33.25	6
GU32114410	33.22	7	GU32530611	33.08	33	GU90402642	33.24	8
GU32115010	34.47	3	GU32555210	33.11	4	GU90402841	34.42	3
GU32115011	34.47	8	GU32555211	33.11	5	GU90402842	34.35	9
GU32115510	34.47	7	GU32602860	33.18	28	GU90403246	34.40	20
GU32115710	34.47	4	GU32603010	33.18	16	GU90403251	34.10	38
GU32116910	33.22	4	GU32603310	33.18	7	GU90403549	34.10	3
GU32117010	33.18	4	GU32605510	33.18	2	GU90407591	34.10	15
GU32117011	33.18	5	GU32611660	33.24	3	GU90706009	33.51	27
GU32120710	33.23	1	GU32615660	33.24	14	GU90706076	34.34	29
GU32120711	33.23	2	GU32632510	33.25	17	GU90706111	34.39	22
GU32121010	33.23	7	GU32633360	33.25	14	GU90706140	34.42	4
GU32121910	33.23	25	GU32633560	34.10	11	GU90706141	33.30	16
GU32121911	33.23	26	GU32634160	33.27	5	GU90706170	34.41	8
GU32123910	33.23	3	GU326358601	33.27	3	GU90706188	34.10	29
GU32128610	33.23	13	GU32636160	33.25	21	GU90706188	34.43	18
GU32129010	33.23	14	GU32718010	34.47	18	GU90706203	34.10	7
GU32137010	33.18	13	GU32724510	33.30	12	GU90706203	34.42	25
GU32159310	33.22	26	GU32727010	33.23	21	GU90706235	34.41	14
GU32159610	33.22	28	GU32735510	33.32	5	GU90706281	34.34	19
GU32202010	34.43	28	GU32735511	33.32	5	GU90706444	34.34	17
GU32206510	34.42	22	GU32738810	33.18	6	GU90706584	34.10	37
GU32208210	34.42	8	GU32747910	33.31	10	GU90714082	33.22	27
GU32210510	34.43	1	GU32750660	33.28	4	GU91113826	33.23	29
GU32211110	34.43	9	GU32750660	33.29	4	GU91120806	33.15	6
GU32211410	34.43	6	GU32750661	33.28	4	GU91180601	33.15	10
GU32211810	34.43	5	GU32750661	33.29	4	GU91181003	33.18	11
GU32212011	34.43	2	GU32753410	33.28	3	GU91181003	33.19	18
GU32213610	34.43	14	GU32753410	33.29	8	GU91551010	33.22	20
GU32213810	34.42	5	GU32753711	33.28	14	GU91551086	33.14	11
GU32214010	34.43	24	GU32753711	33.29	6	GU91600450	34.45	10
GU32214510	34.43	20	GU32753760	33.28	14	GU92201070	34.10	14



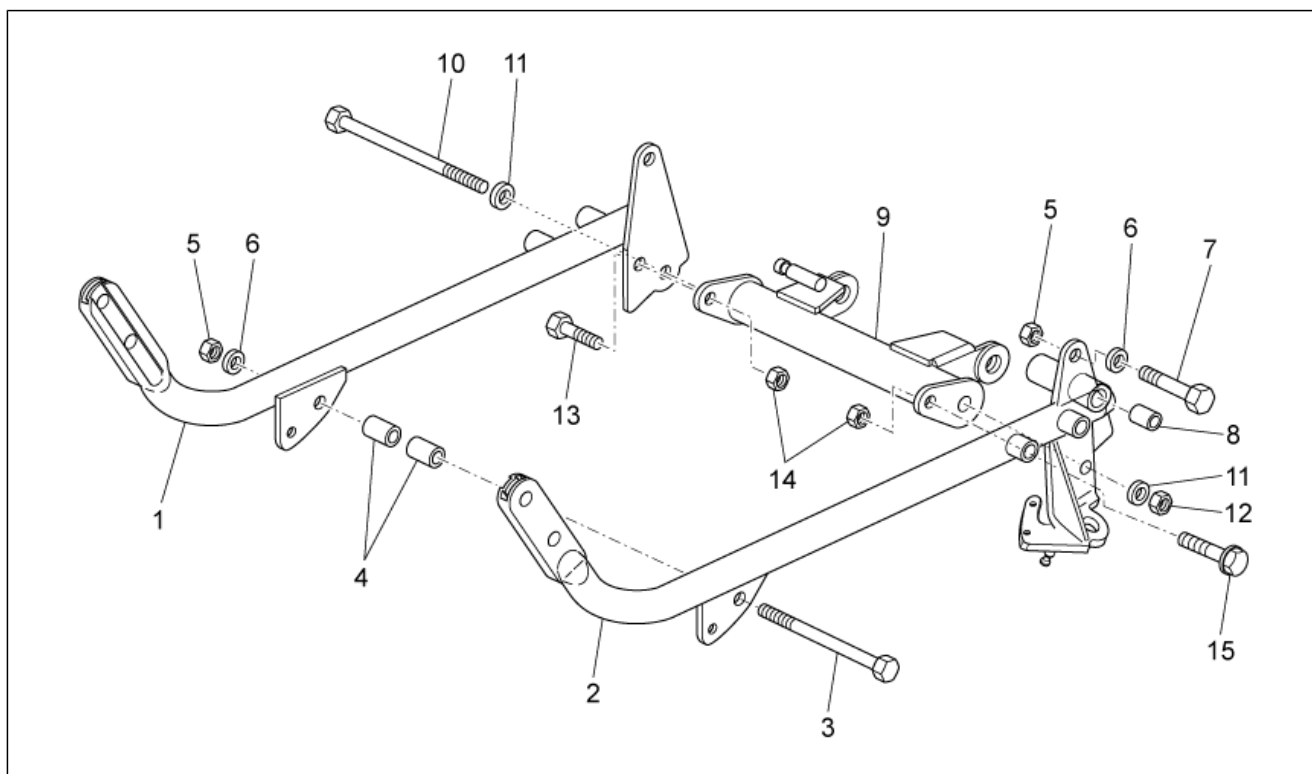
Code	N.Tafel	Pos.	Code	N.Tafel	Pos.	Code	N.Tafel	Pos.
GU92201120	34.42	20	GU95005308	34.09	22	GU98252420	33.06	23
GU92201220	34.43	16	GU95005311	33.51	4	GU98252420	33.26	32
GU92201225	34.40	10	GU95005312	33.12	10	GU98257410	33.27	18
GU92204215	34.42	2	GU95005330	33.08	26	GU98257410	33.51	13
GU92204217	33.25	5	GU95008204	33.30	5	GU98310609	34.47	11
GU92204218	33.25	3	GU95008205	33.30	15	GU98350215	33.29	12
GU92204221	33.24	7	GU95008206	34.39	23	GU98350312	34.44	7
GU92218417	34.43	10	GU95008208	33.01	6	GU98350416	33.01	5
GU92230320	34.43	13	GU95008208	34.46	3	GU98350440	33.13	3
GU92234716	34.43	26	GU95008210	33.01	8	GU98370412	33.19	4
GU92249220	34.10	32	GU95008210	33.02	6	GU98370515	33.14	17
GU92249225	33.07	2	GU95008210	34.09	17	GU98370515	34.47	21
GU92249227	34.10	20	GU95008305	33.18	20	GU98370520	33.12	8
GU92251028	34.43	7	GU95008306	33.19	20	GU98370609	33.17	2
GU92252210	34.39	2	GU95008306	33.27	21	GU98370609	33.23	27
GU92252235	34.10	5	GU95020105	33.03	10	GU98370616	33.12	21
GU92296723	34.39	6	GU95021104	33.19	19	GU98370616	33.13	9
GU92602406	34.38	9	GU95021105	33.18	21	GU98370625	33.14	4
GU92602510	34.39	19	GU95021206	33.17	5	GU98370625	33.26	7
GU92603010	34.36	11	GU95021206	33.28	8	GU98370655	33.28	7
GU92606206	33.17	6	GU95021206	33.29	10	GU98370655	33.29	9
GU92606208	34.34	7	GU95100059	33.22	21	GU98370831	33.15	5
GU92606208	34.40	18	GU95100059	33.26	24	GU98370831	33.28	22
GU92606210	33.01	9	GU95100059	33.31	14	GU98612216	33.03	9
GU92606210	33.02	5	GU95100116	34.47	12	GU98620335	34.39	7
GU92606210	33.11	7	GU95100125	34.45	14	GU98620540	33.08	18
GU92606210	34.09	18	GU95100141	33.12	22	GU98680265	34.45	6
GU92606316	33.25	16	GU95100141	33.15	14	GU98680330	33.08	3
GU92606508	34.41	3	GU95100141	33.28	24	GU98680330	34.35	4
GU92606512	34.42	14	GU95100244	34.38	29	GU98680335	34.35	8
GU92606516	34.45	4	GU95100309	34.39	27	GU98680335	34.42	27
GU92630104	33.27	19	GU95100602	34.39	25	GU98680350	33.08	30
GU92630104	33.51	14	GU95100709	34.34	21	GU98680435	34.40	15
GU92630106	33.08	27	GU95129101	33.31	21	GU98680435	34.42	19
GU92630204	33.16	14	GU95129115	34.38	22	GU98680440	33.23	17
GU92630206	33.26	5	GU95129180	34.34	27	GU98680450	34.40	16
GU92630310	33.03	6	GU95129180	34.36	13	GU98680545	34.09	16
GU92630510	33.01	3	GU95129181	33.11	6	GU98680555	33.01	10
GU92640508	33.23	19	GU95187006	34.39	13	GU98682125	33.30	4
GU92787006	33.28	6	GU95401215	33.26	10	GU98682212	33.30	14
GU92787006	33.29	11	GU95500222	34.41	6	GU98682212	33.31	13
GU92787008	33.15	8	GU95780271	34.41	5	GU98682215	33.26	18
GU92787008	34.09	19	GU95963062	33.51	9	GU98682314	34.42	6
GU93110060	33.15	13	GU95990023	33.51	26	GU98682322	34.47	9
GU93180105	34.09	21	GU96451316	33.27	15	GU98682325	34.34	11
GU93180111	33.24	13	GU96451430	34.34	3	GU98682325	34.35	3
GU93180220	34.40	9	GU96451560	34.34	2	GU98682330	34.40	14
GU93180245	34.36	22	GU96506042	34.36	5	GU98682330	34.42	18
GU93222023	33.17	4	GU96508055	34.10	12	GU98682414	33.01	12
GU93231605	33.29	14	GU96508055	34.34	4	GU98682416	33.32	7
GU93231605	34.47	23	GU96508145	34.36	20	GU98682425	33.25	13
GU93301175	33.23	20	GU96510181	34.36	15	GU98682530	33.01	2
GU93301313	33.51	15	GU96510214	34.36	14	GU98690335	33.18	27
GU93305057	34.47	13	GU97202325	33.18	26	GU98692210	33.12	17
GU93305061	33.22	6	GU97202435	33.27	9	GU98692318	33.11	2
GU93305061	34.47	15	GU97270212	34.47	24	GU98692325	33.18	9
GU93450127	33.28	15	GU973221100027	34.47	25	GU98692325	34.36	16
GU93450127	33.29	7	GU98054422	34.38	28	GU98692420	33.01	19
GU93450224	33.29	3	GU98082435	34.46	2	GU98880540	33.28	21
GU94321074	33.18	12	GU98082565	33.02	7	GU98882316	34.38	21
GU94321079	34.39	24	GU98084314	34.39	12			
GU94321099	34.09	6	GU98084314	34.40	12			
GU94321105	34.41	4	GU98084316	34.40	7			
GU95004210	33.31	4	GU98110007	33.23	23			
GU95005306	33.17	3	GU98110199	33.01	7			
GU95005306	33.23	28	GU98230510	33.16	4			
GU95005308	33.28	23	GU98230510	33.18	19			

Groep	FRAME
Code	33.01
Beschrijving	Frame l
Revisie	1



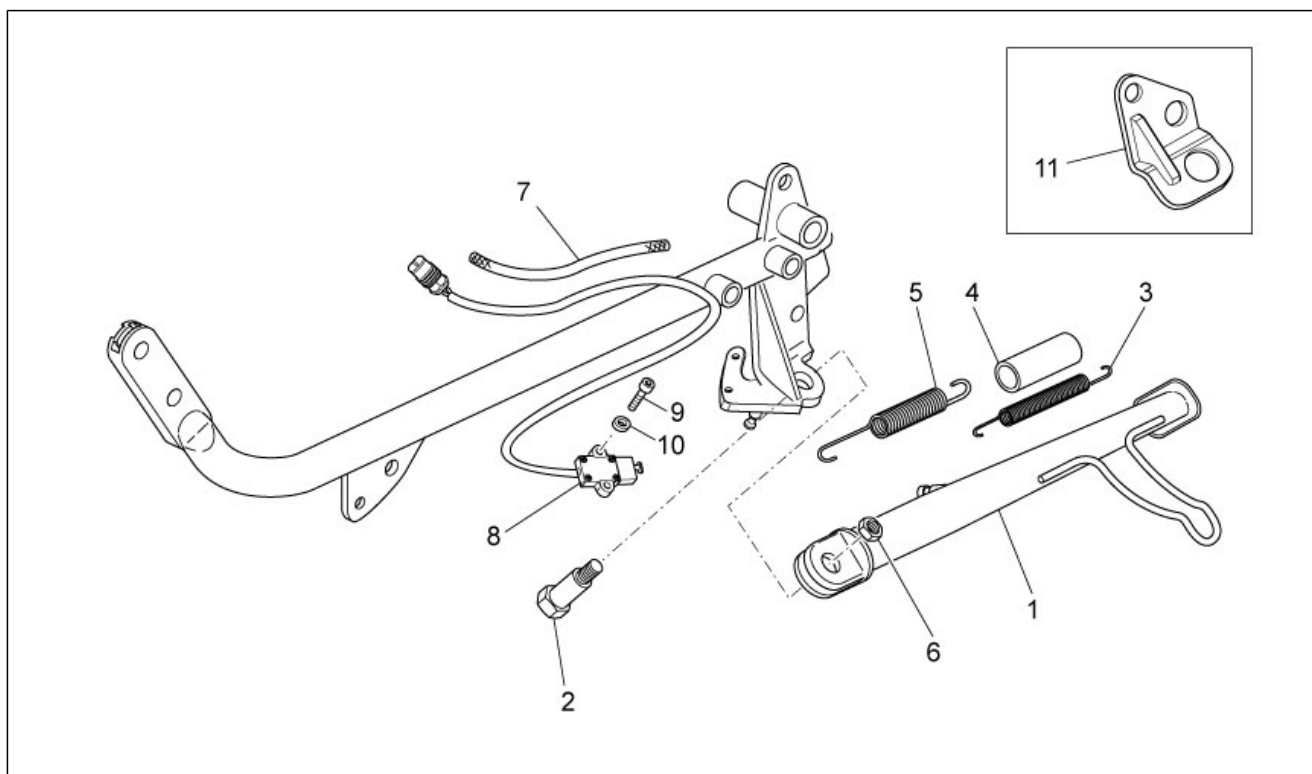
Pos.	Code	Beschrijving	Aant.	Varianten
1	898082	Frame v.	1	
2	GU98682530	Binnenzeskantbout M10x30	4	
3	GU92630510	Moer M10x1,5	4	
4	GU32418260	Plaat accuhouder	1	
5	GU98350416	Bolbout met binnenzeskant	4	
6	GU95008208	Sluitring 8,4X15X1,5	4	
7	GU98110199	Pin M10x205	1	
8	GU95008210	Sluitring 10,2X18X2	11	
9	GU92606210	Moer M10x1,5	2	
10	GU98680555	Bout M10x55	2	
11	886645	Plaatje	2	
12	GU98682414	Binnenzeskantbout	2	
13	GU01103860	Spons	1	
14	GU66103415	Rubbertje	2	
15	AP8144606	Pakking 10X5	1	
16	AP8221172	Kabelgeleider	1	
17	886581	Plaat re	1	
18	886582	Plaat li	1	
19	GU98692420	Bout	4	

Groep	FRAME
Code	33.02
Beschrijving	Frame II
Revisie	1



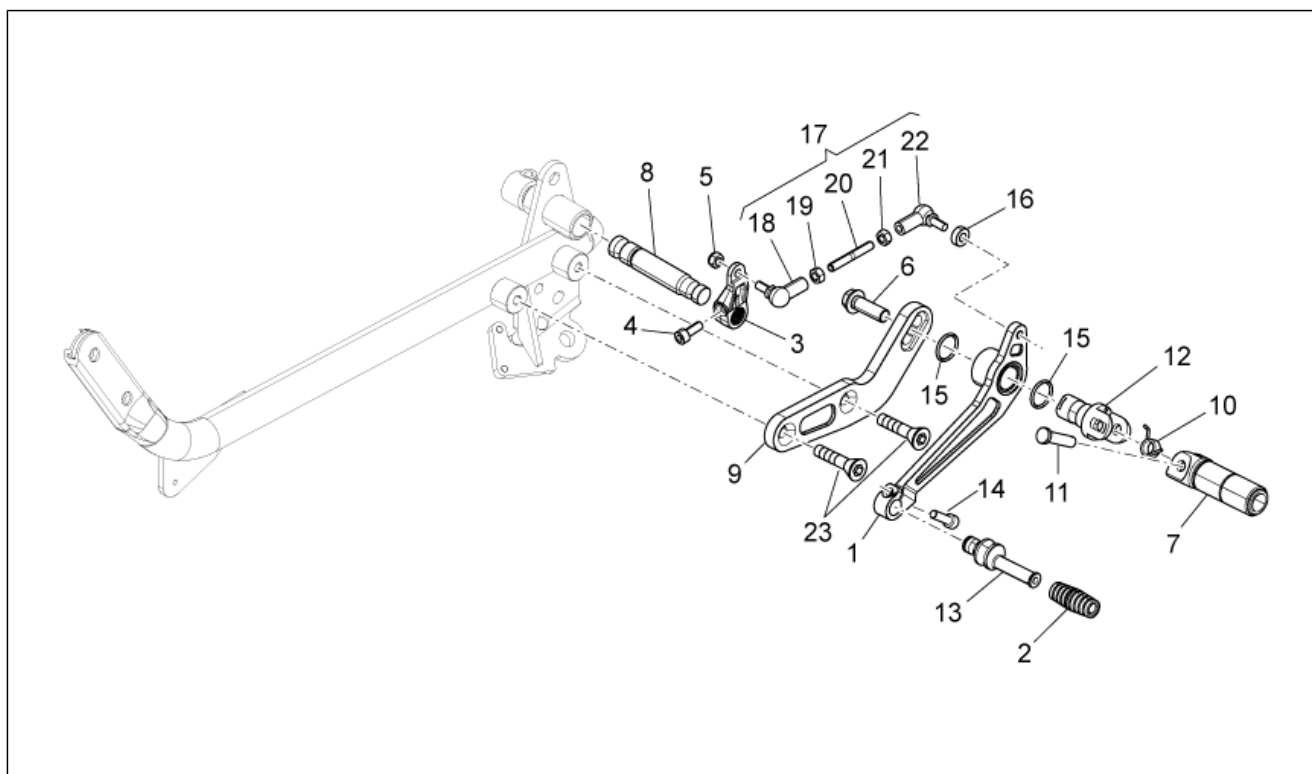
Pos.	Code	Beschrijving	Aant.	Varianten
1	898083	Steun re	1	
2	898084	Steun li	1	
3	GU53429500	Pin M10x250	1	
4	GU19017000	Beslagring	2	
5	GU92606210	Moer M10x1,5	3	
6	GU95008210	Sluitring 10,2X18X2	3	
7	GU98082565	Bout M10x65	2	
8	GU28252060	Huls 18 mm est.	2	
9	GU32431310	Balk armen steun	1	
10	AP8121367	Pin M10x260	1	
11	AP8152220	Gekart. sluitring	2	
12	AP8150436	Zelfborg. moer laag	1	
13	AP8152287	Zeskantbout geflenst	1	
14	AP8152300	Zelfborg.bout gefl. M8	1	
15	AP8152288	Zeskantbout geflenst	1	

Groep	FRAME
Code	33.03
Beschrijving	Lateral stand
Revisie	1



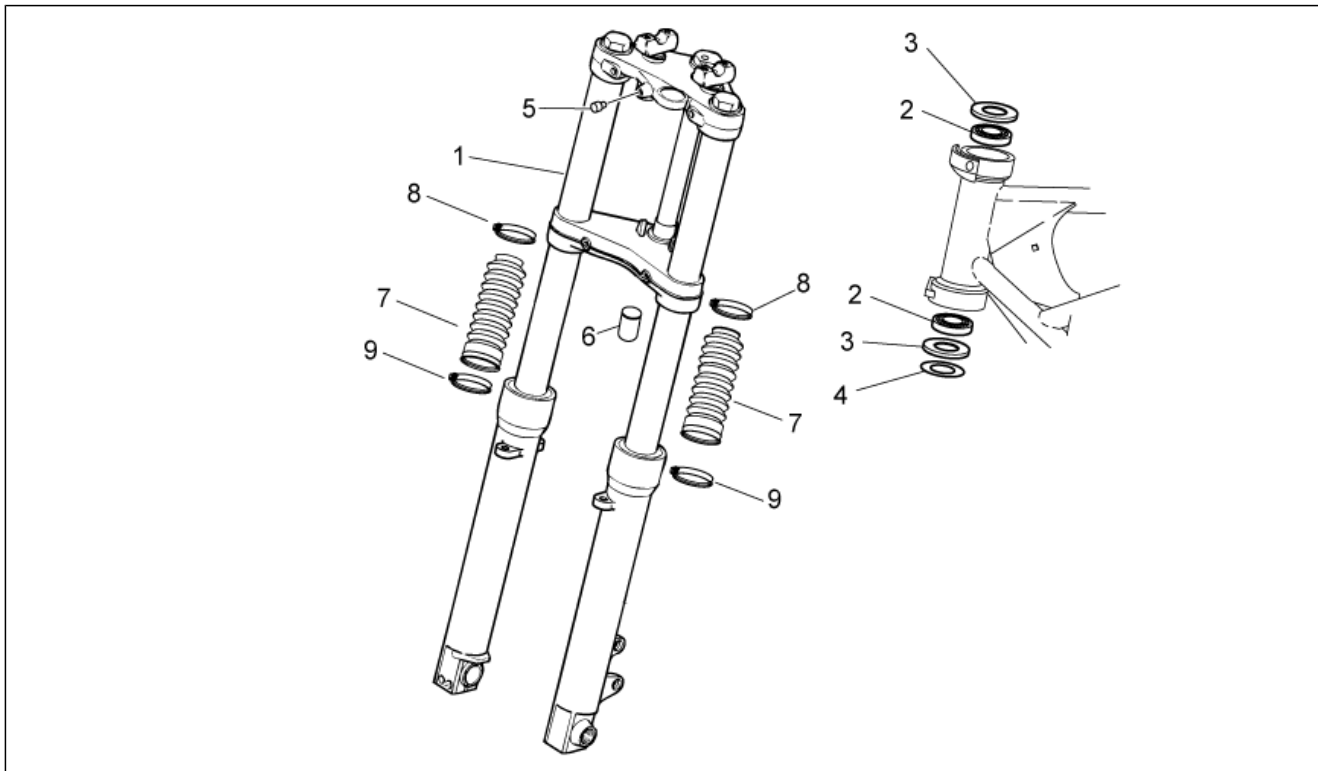
Pos.	Code	Beschrijving	Aant.	Varianten
	GU32433011	Moer	1	LAND:Canadian[CA], USA[USA]
1	883471	Zijstandaard zwart	1	LAND:Canadian[CA], USA[USA]
1	977088	Zijstandaard zwart	1	LAND:Australia[AA], europa[EU], Japan[J], Great Britain[UK]
2	AP8121375	Bout standaard	1	LAND:Australia[AA], europa[EU], Japan[J], Great Britain[UK]
2	AP8121607	Bout standaard	1	LAND:Canadian[CA], USA[USA]
3	AP8121014	Spiraalveer cilind.aandr. *	1	
4	AP8102524	Bescherming veer standaard	1	
5	AP8221197	Trekveer standaard	1	
6	GU92630310	Moer	1	LAND:Australia[AA], europa[EU], Japan[J], Great Britain[UK]
7	GU00823923140	Thermische gaine	1	
8	639542	Button for the side stand	1	
9	GU98612216	Binnenzeskantbout	2	
10	GU95020105	Sluitring 5,3x8,9x2,4	2	
11	GU32432711	Plaat	1	LAND:Canadian[CA], USA[USA]

Groep	FRAME
Code	33.06
Beschrijving	Gear lever
Revisie	1



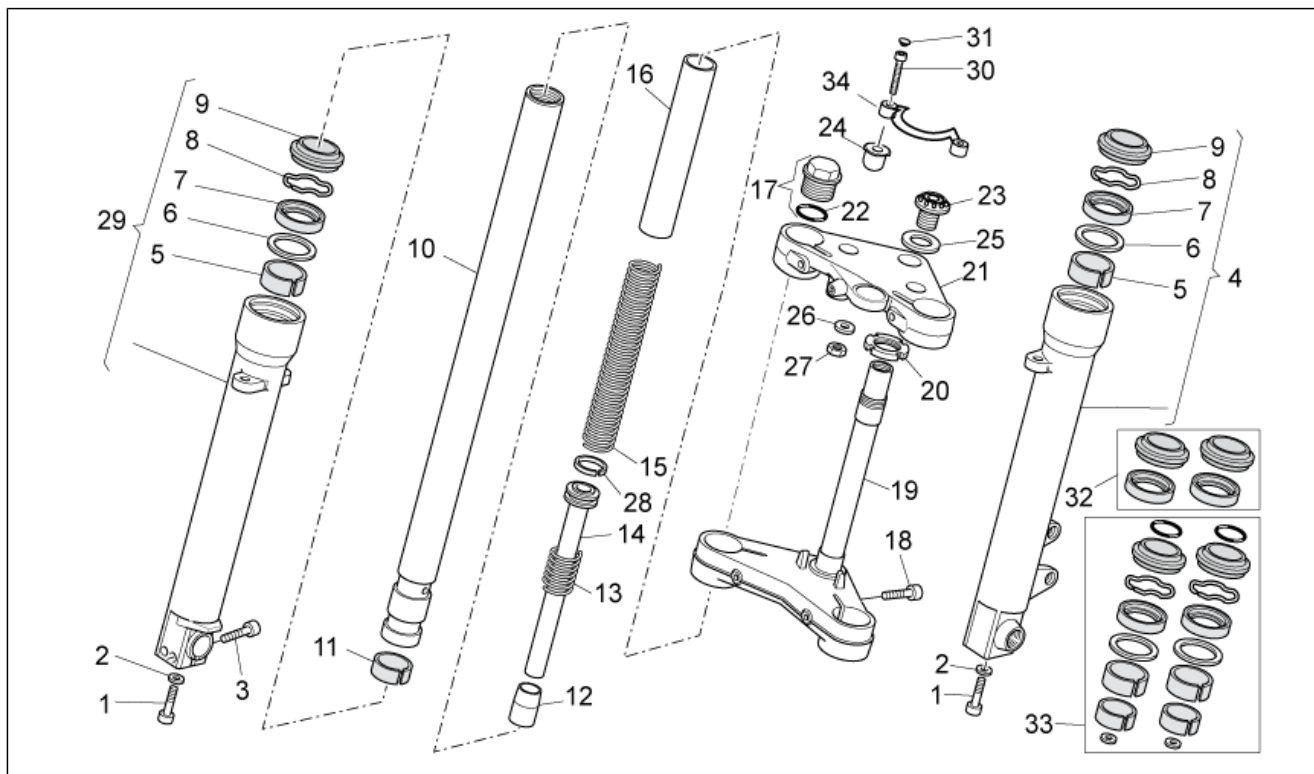
Pos.	Code	Beschrijving	Aant.	Varianten
1	898282	Versnellingshendel	1	
2	AP8120912	Rubbetje voor hendel	1	
3	898283	Hendel voorschakelaar	1	
4	AP8150137	Binnenzeskantbout	1	
5	AP8150115	Zelfborg. moer laag M6	1	
6	AP8152320	Zeskantbout geflenst	1	
7	898281	Voetensteun bestuurder re	1	
8	GU32251610	Pin hendel	1	
9	898284	Piastra pedana pilota	1	
10	AP8221277	Trekveer voetensteun	1	
11	GU23442210	Pin	1	
12	898611	Steun voetenst. bestuurder li	1	
13	886665	Pin	1	
14	AP8150044	Binnenzeskantbout M6x20	1	
15	AP9100477	O-ring 18x2	2	
16	886668	Afstandhouder	1	
17	887280	Tirante comando cambio	1	
18	AP8210007	Sfeervormig buigpunt re M6	1	
19	AP8150026	Moer	1	
20	856796	Staaft overbrenging versnellingsbak	1	
21	AP8152138	Moer	1	
22	AP8110053	Sfeervormig buigpunt li M6	1	
23	GU98252420	Binnenzeskantbout met verzonken kop M8x20	2	

Groep	FRAME
Code	33.07
Beschrijving	Front fork I
Revisie	1



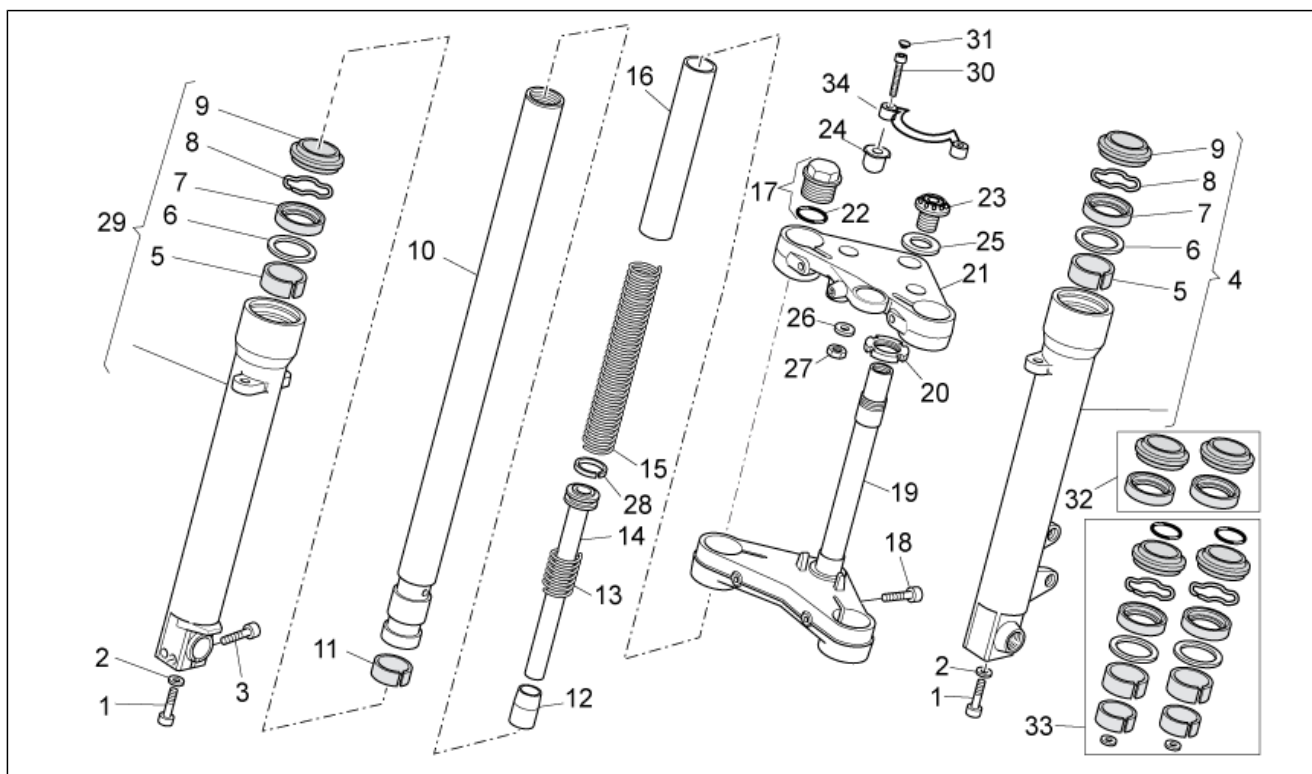
Pos.	Code	Beschrijving	Aant.	Varianten
1	886677	Voorvork cpl.	1	
2	GU92249225	Conische kogellager	2	
3	AP8144146	Dichtingsring	1	
4	AP8121307	Sluitring	1	
5	AP8144081	Rubbertje	1	
6	AP8220460	Plaatje in rubber	1	
7	898086	Blower vork	7	
8	CM001929	Klembandje buis 36.5	2	
9	CM001928	Klembandje buis 44	2	

Groep	FRAME
Code	33.08
Beschrijving	Front fork II
Revisie	1



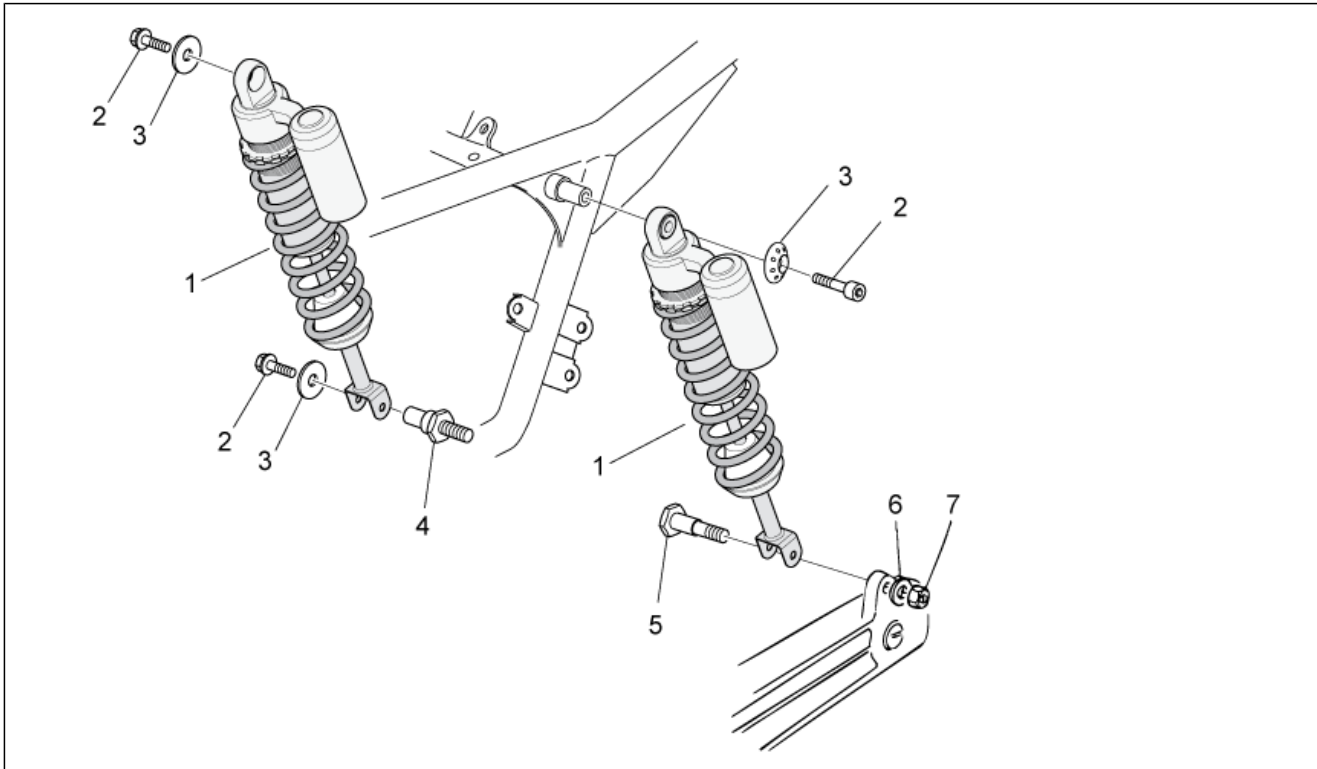
Pos.	Code	Beschrijving	Aant.	Varianten
1	GU03530530	Bout M10x30	2	
2	GU03530529	Sluitring	2	
3	GU98680330	Binnenzeskantbout M6x30	2	
4	978978	Huls li cpl. Black	1	
5	GU30526761	Huls bov.	2	
6	599504	Plaatje geleiderhuls (Marzocchi)	2	
7	599501	Dichtingsring (Marzocchi)	2	
8	599503	Blokkeerring (Marzocchi)	2	
9	599502	Stofkeerring met veertje (Marzocchi)	2	
10	GU32525410	Stang	2	
11	GU30525861	Huls ond.	2	
12	GU03530551	Buffer	2	
13	GU32530502	Tegenveer	2	
14	GU32530503	Pompend deel cpl.	2	
15	GU32526610	Veer	2	
16	GU32526310	Buis	2	
17	886684	Dop cpl.	2	
18	GU98620540	Bout	2	
19	978974	Basis met kop Black	1	
20	GU31513480	Moer M25X1	1	
21	886842	Plaat bov.vork	1	
22	GU32530505	OR-ring 4118	2	
23	883498	Huls bevest. plaat bov.	1	
24	883552	Huls	2	
25	GU27530510	Sluitring	2	
26	GU95005330	Sluitring 6,4x30x1,5	2	
27	GU92630106	Moer M6x1	2	
28	GU32530504	Segment	2	

Groep	FRAME
Code	33.08
Beschrijving	Front fork II
Revisie	1



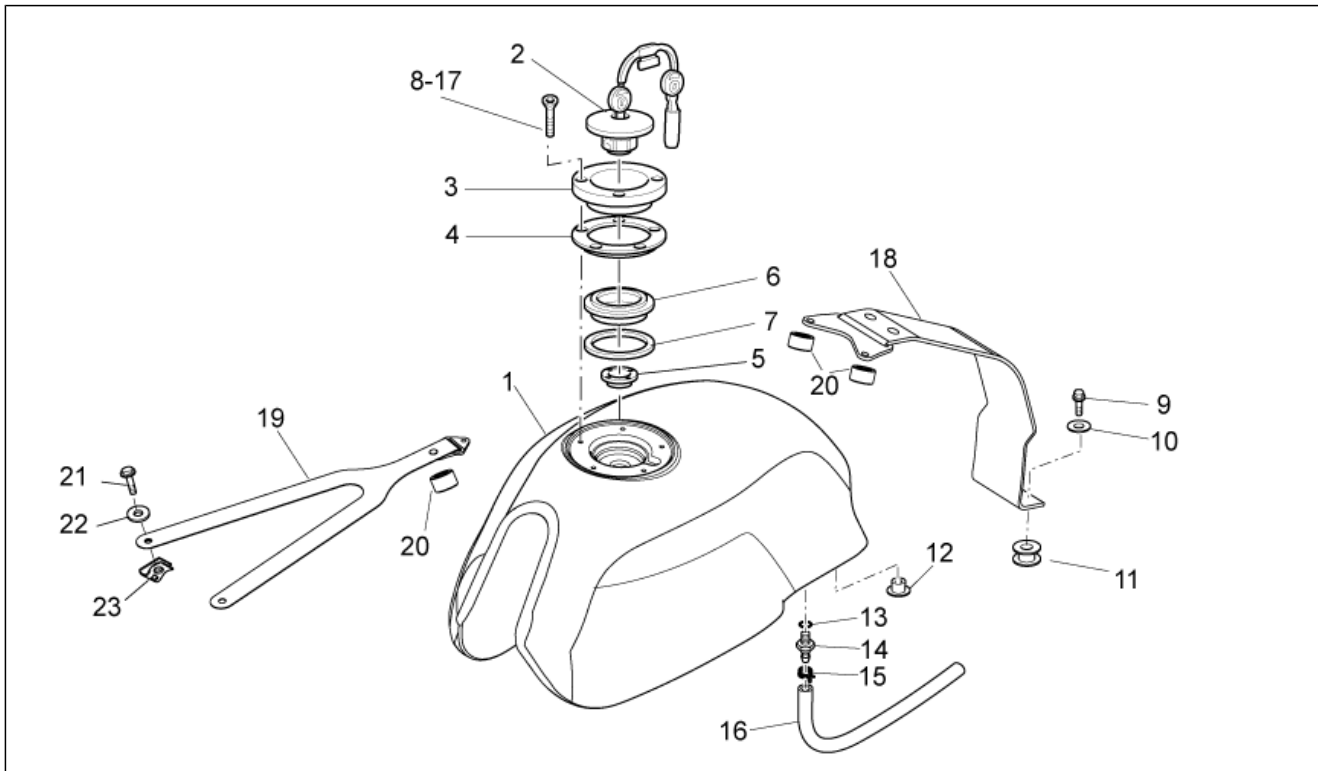
Pos.	Code	Beschrijving	Aant.	Varianten
29	978977	Huls re cpl.	1	
30	GU98680350	Binnenzeskantbout M6x50	2	
31	GU23943410	Dop verchr.	8	
32	GU32530610	Kit pakkingen	1	
33	GU32530611	Kit oliekeerringen	1	
34	883602	Buisje	1	

Groep	FRAME
Code	33.11
Beschrijving	Rear shock absorber
Revisie	1



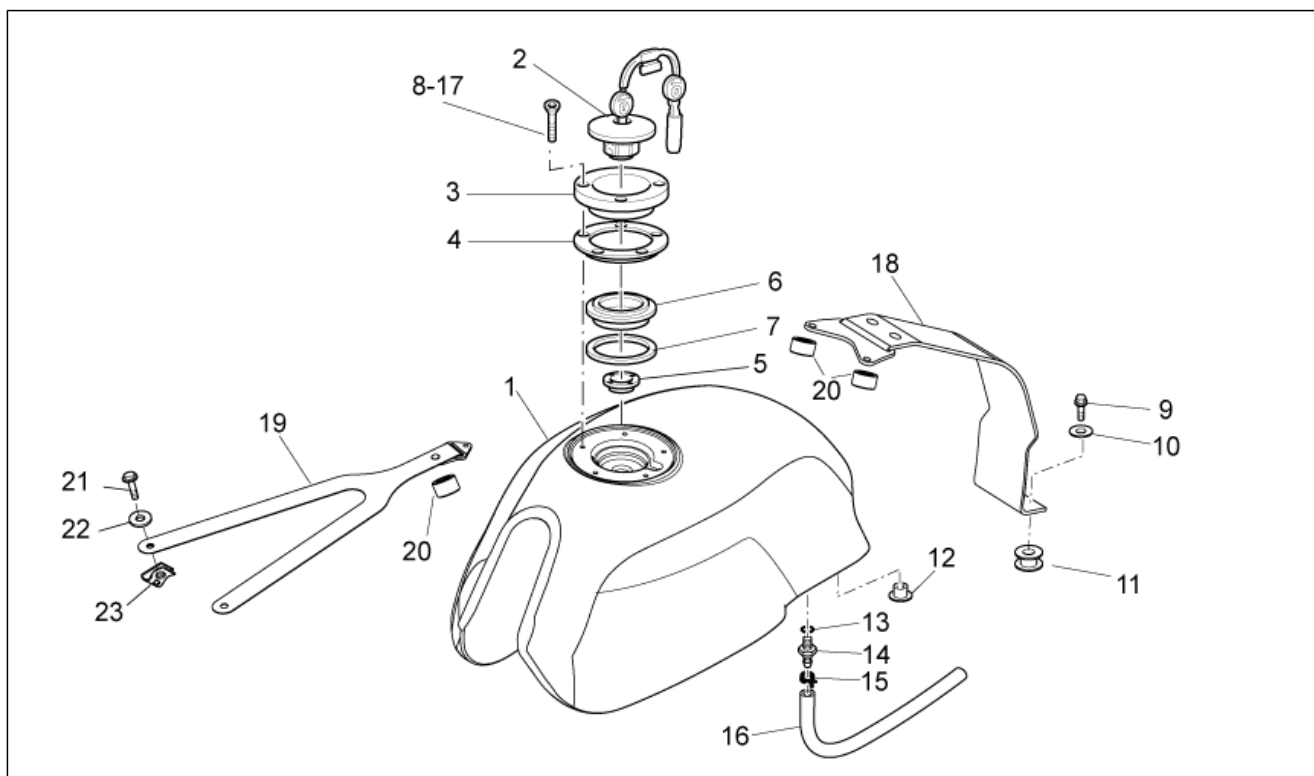
Pos.	Code	Beschrijving	Aant.	Varianten
1	886675	Schokdemper acht.	2	
2	GU98692318	Binnenzeskantbout	3	
3	886630	***BUSH	3	
4	GU32555210	Pin	1	
5	GU32555211	Pin	1	
6	GU95129181	Sluitering gegolfd	1	
7	GU92606210	Moer M10x1,5	1	

Groep	FRAME
Code	33.12
Beschrijving	Fuel tank
Revisie	1



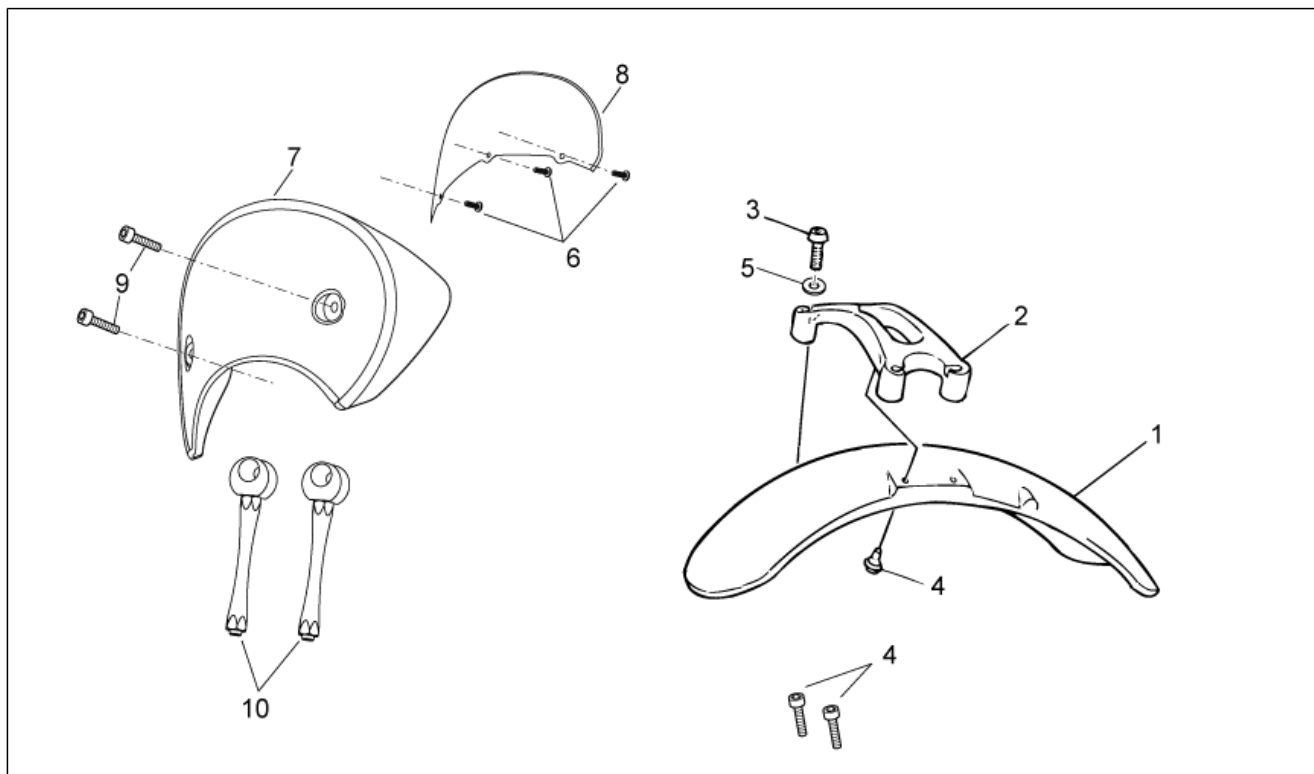
Pos.	Code	Beschrijving	Aant.	Varianten
1	883469	Brandstoftank ruw	1	LAND:Canadian[CA], USA[USA]
1	887205	Tank zwart	1	LAND:Canadian[CA], USA[USA] Technical specification:Decal[D]
1	887445	Tank zwart	1	Kleur van het voertuig: Black[Black] LAND:Japan[J]
1	898172	Serbatoio cromato	1	Kleur van het voertuig:Chromed[CR] LAND:Australia[AA], europa[EU], Japan[J], Great Britain[UK] Technical specification:Decal[D]
1	978928	Brandstoftank ruw	1	LAND:Australia[AA], europa[EU], Japan[J], Great Britain[UK]
2	883185	Tankdop	1	LAND:Australia[AA], europa[EU], Japan[J], Great Britain[UK]
2	883476	Tankdop	1	LAND:Canadian[CA], USA[USA]
3	886369	Flens brandstoftank	1	
4	883193	Pakking	1	
5	GU03101720	Reductie 38 mm	1	
6	GU03102200	Moer dop	1	
7	GU03101600	Pakking	1	
8	GU98370520	Bolbout met binnenzeskant	3	
9	AP8152291	Zeskantbout geflenst	1	
10	GU95005312	Sluitring 8,5x24x2	1	
11	GU02107100	Rubbetje	1	
12	883252	Afstandhouder	1	
13	AP8120965	OR-ring 2018	1	
14	GU30103730	Verbinding	1	
15	AP8101595	Klemmetje D10,1*	1	
16	GU00823944050	Buis 5X9	1	
17	GU98692210	Binnenzeskantbout	2	
18	886617	Cinghia post.	1	

Groep	FRAME
Code	33.12
Beschrijving	Fuel tank
Revisie	1



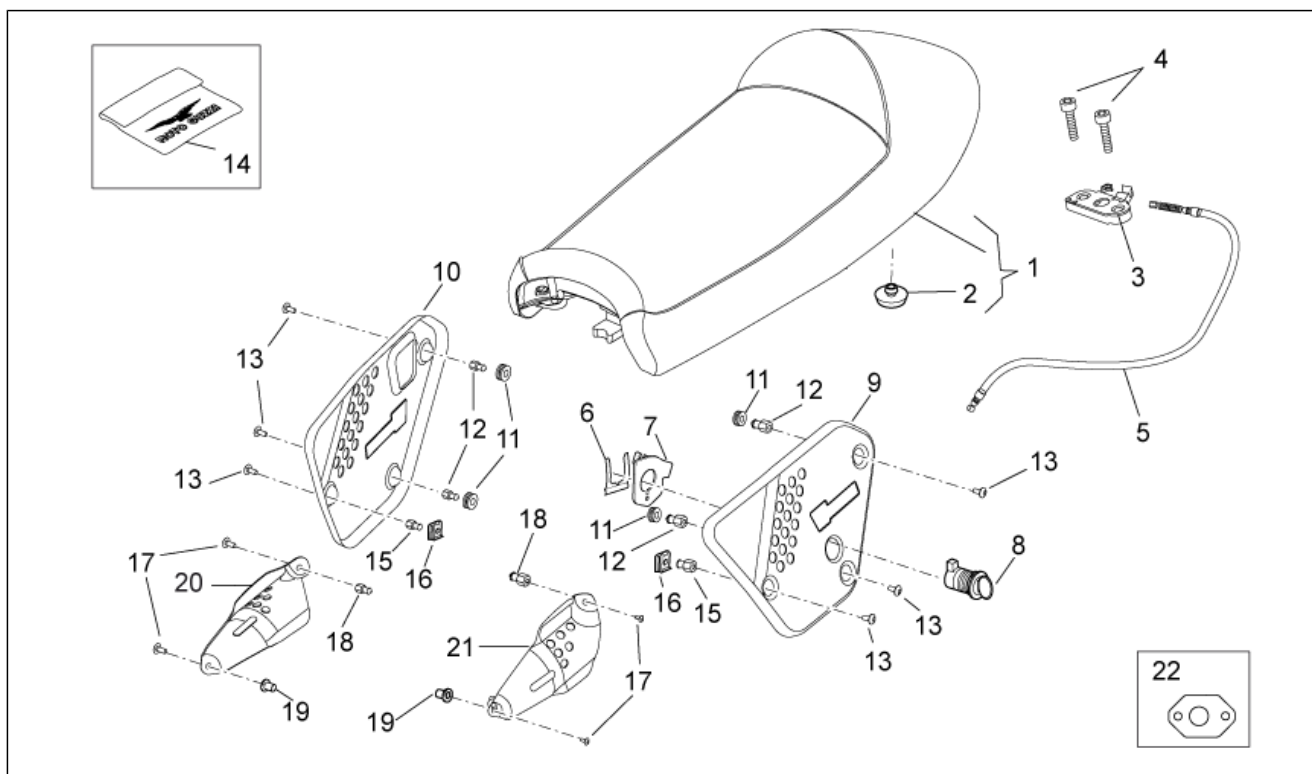
Pos.	Code	Beschrijving	Aant.	Varianten
19	886625	cinghia ant.	1	
20	886370	Huls afstandhouder 5.5x9.5x5.5	3	
21	GU98370616	Bolbout met binnenzeskant	2	
22	GU95100141	Sluitring 6,4x12x1,2	2	
23	GU28576591	Clip M6	2	

Groep	FRAME
Code	33.13
Beschrijving	Front body - Front mudguard
Revisie	1



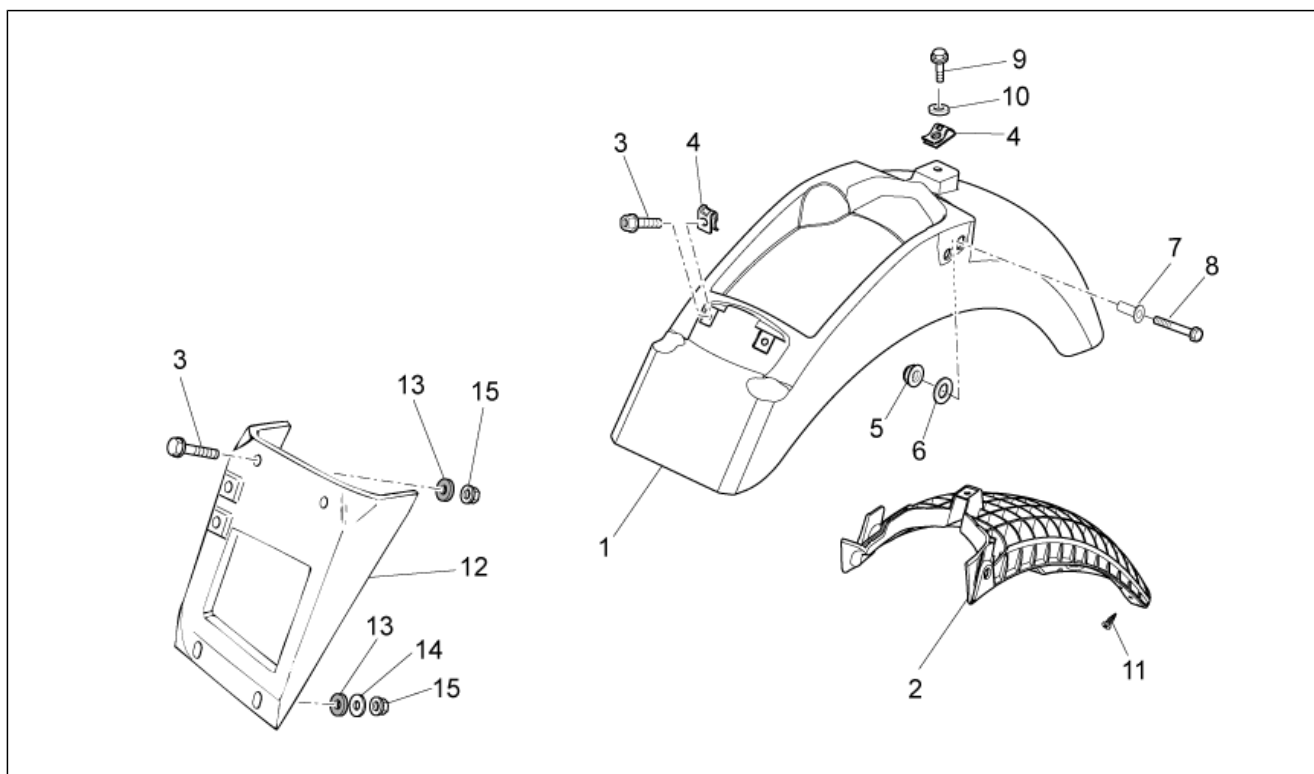
Pos.	Code	Beschrijving	Aant.	Varianten
1	88673000Y02	Spatbord voor.v.zwart	1	
2	886784	Stabiliseerplaat	1	
3	GU98350440	Bout	4	
4	GU31439565	Bout	4	
5	GU14615901	Sluitring 8,4X13X0,8	4	
6	AP8150413	Zelftap. bout 3,9x14	3	
7	88673100Y02	Kapje v.zwart	1	Technical specification:Decal[D]
7	898179	Kapje ruw	1	
8	898180	Glas kapje	1	
9	GU98370616	Bolbout met binnenzeskant	2	
10	886724	Steun kapje	2	

Groep	FRAME
Code	33.14
Beschrijving	Saddle-Central bod
Revisie	1



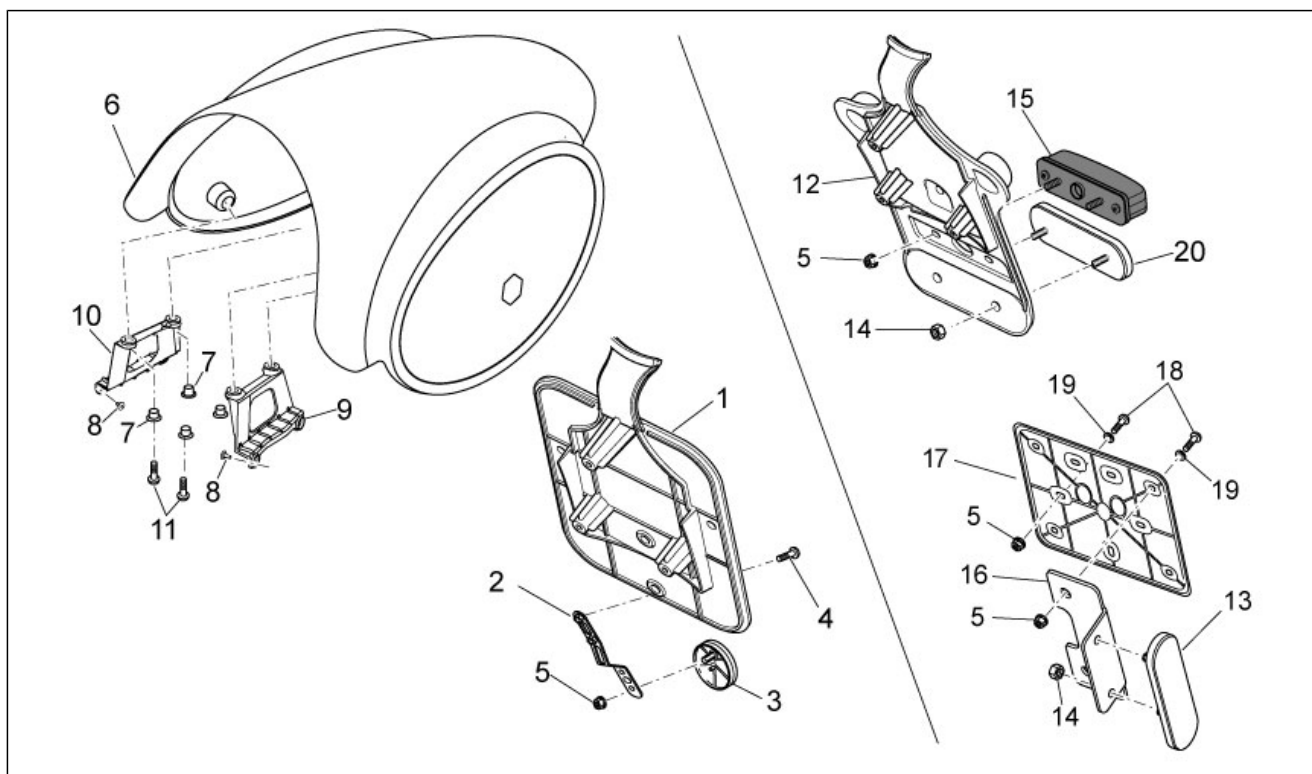
Pos.	Code	Beschrijving	Aant.	Varianten
1	898178	Zadel	1	
2	GU32461610	Rubbetje	10	
3	AP8102913	Koppelingsplaat zadel pass.	1	
4	GU98370625	Bolbout met binnenzeskant	2	
5	883295	Kabel slot zadel	1	
6	AP8121420	Vorkveer	1	
7	978415	Plaatje steun kabel	1	
8	977527	Zadelslot	1	
9	898278	Zijplaatje li	1	Technical specification:No decals[ND]
10	898277	Zijplaatje re	1	Technical specification:No decals[ND]
11	GU91551086	Rubbetje	4	
12	886368	Bevestigingspin	4	
13	896174	Bolbout met binnenzeskant	6	
14	886841	sacchetto prot. sella	1	
15	886706	Bevestigingspin	2	
16	254485	Spring plate M6	2	
17	GU98370515	Bout	4	
18	AP8120531	Rubbetje met inzetstuk *	2	
19	886727	Bevestigingspin	2	
20	898270	coprifarfalla DX	1	
21	898271	coprifarfalla SX	1	
22	886820	Plaatje slot zadel	1	

Groep	FRAME
Code	33.15
Beschrijving	Rear body I- Mudguard
Revisie	1



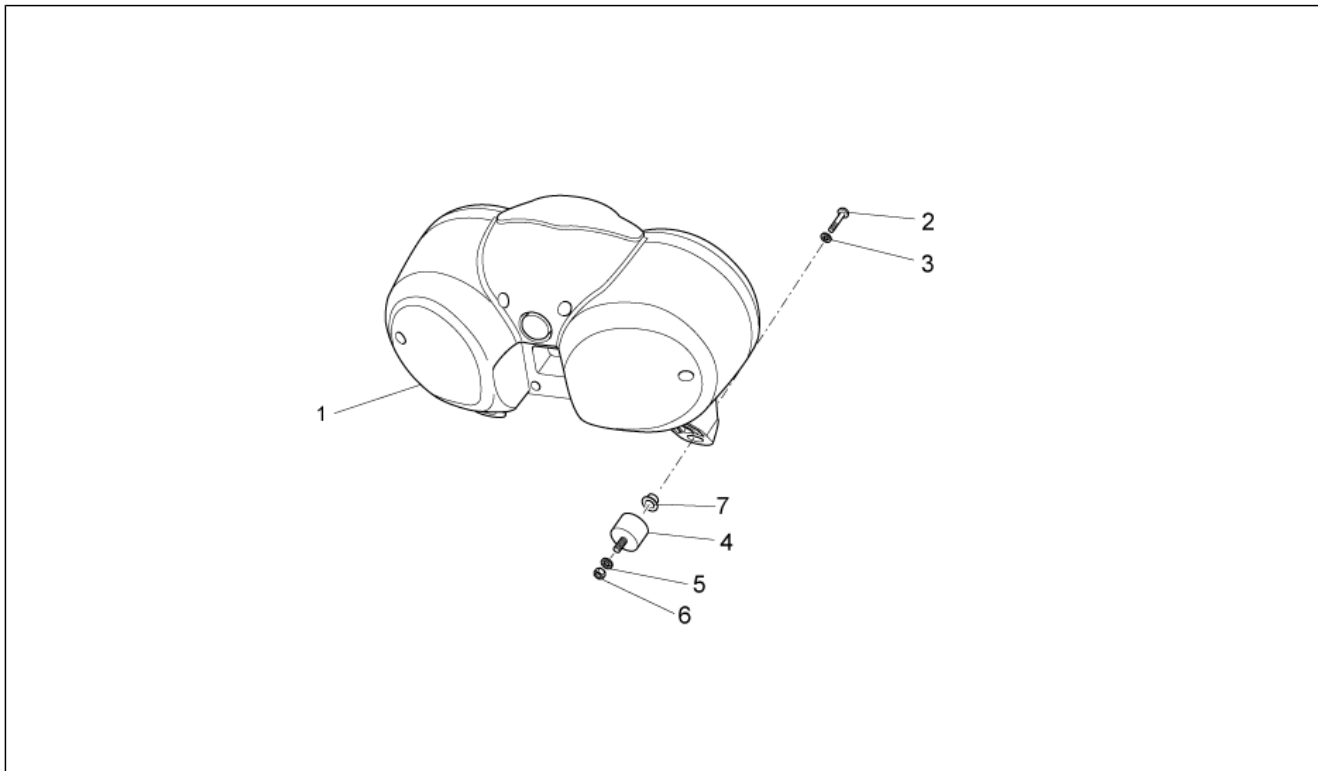
Pos.	Code	Beschrijving	Aant.	Varianten
1	97894600Y02	Spatbord acht.zwart	1	
2	978947	Versterking	1	
3	AP8152278	Zeskantbout geflenst M6x16	4	
4	GU28576591	Clip M6	3	
5	GU98370831	Bolbout met binnenzeskant M8x30	2	
6	GU91120806	Afstandhouder	2	
7	GU03270300	Sluitring 8,4x15	2	
8	GU92787008	Moer blind M8x1,25	2	
9	AP8152279	Zeskantbout geflenst M6x20	2	
10	GU91180601	Afstandhouder 6,2x8x3	2	
11	AP8152329	Bout SWP kruiskop gefl. M5x20	3	
12	GU31438765	Spatbordjes	1	
13	GU93110060	Rubbetje	4	
14	GU95100141	Sluitring 6,4x12x1,2	2	
15	AP8152299	Zelfborg.bout gefl. M6	4	

Groep	FRAME
Code	33.16
Beschrijving	Rear body II- Plate holder
Revisie	1



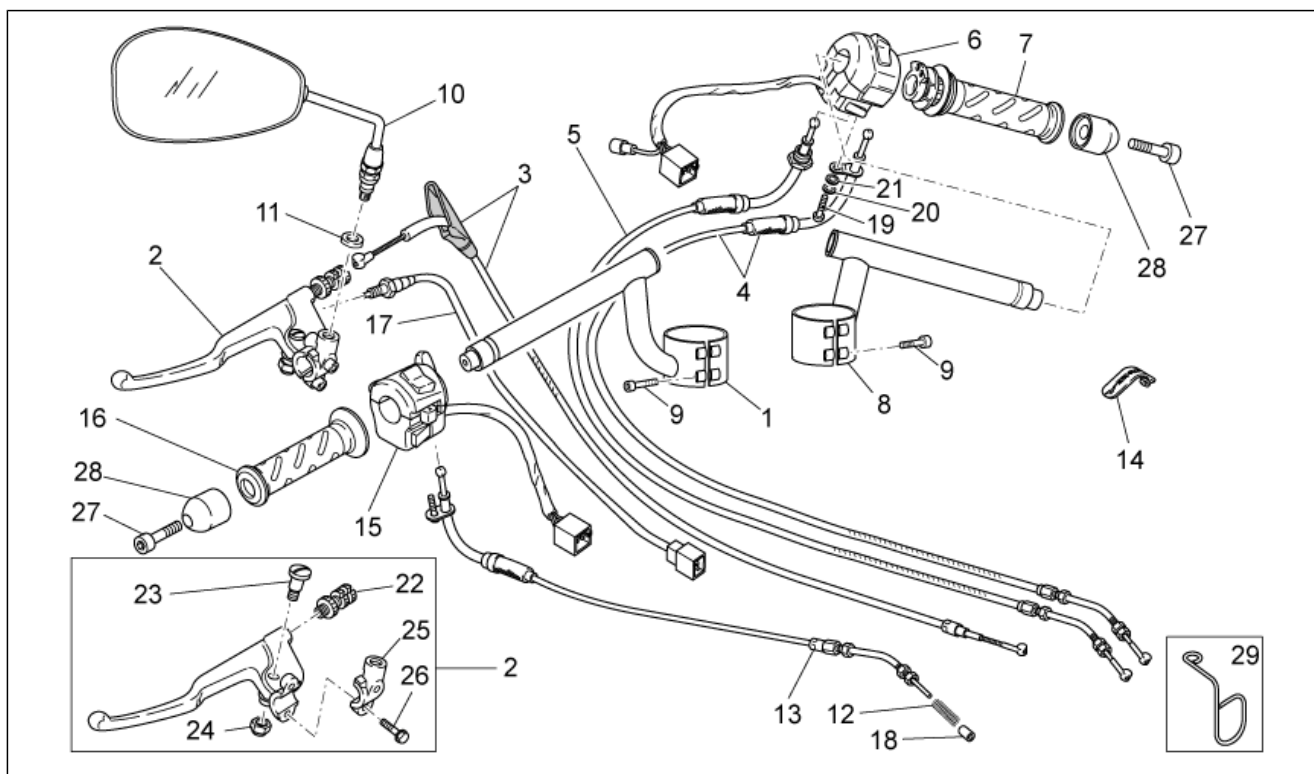
Pos.	Code	Beschrijving	Aant.	Varianten
1	978949	Nummerplaathouder	1	
2	AP8134448	Houder reflector	1	
3	AP8224164	Reflector rood	1	
4	GU98230510	Bolbout met binnenzeskant	2	
5	AP8152306	Zelfborg.bout gefl. m5	1	
6	88673200Y02	Eindstuk v.zwart	1	Technical specification:Decal[D]
6	898280	Eindstuk ruw	1	
7	AP8121929	'T'-vormige huls 6,5x8,6x9	4	
8	AP8152339	Bolbout met binnenzeskant, geflenst M5x9	4	
9	886712	Beugel li	1	
10	886713	Beugel re	1	
11	AP8152273	Geflenste bout	4	
12	883470	Nummerplaathouder	1	LAND:Canadian[CA], USA[USA]
13	AP8124718	Reflector rood	2	LAND:Canadian[CA], USA[USA]
14	GU92630204	Moer	6	LAND:Canadian[CA], USA[USA]
15	883480	Licht nummerplaat	1	LAND:Canadian[CA], USA[USA]
16	GU32781910	Houder reflector	2	LAND:Canadian[CA], USA[USA]
17	AP8149034	Steun van de nummerplaat	1	LAND:Canadian[CA], USA[USA]
18	AP8152268	Speciale bolbout met binnenzeskant	7	LAND:Canadian[CA], USA[USA]
19	AP8150248	Sluitring 5,5x15x1,6	7	LAND:Canadian[CA], USA[USA]
20	GU05781630	Reflector amber	1	LAND:Canadian[CA], USA[USA]

Groep	FRAME
Code	33.17
Beschrijving	Dashboard
Revisie	1



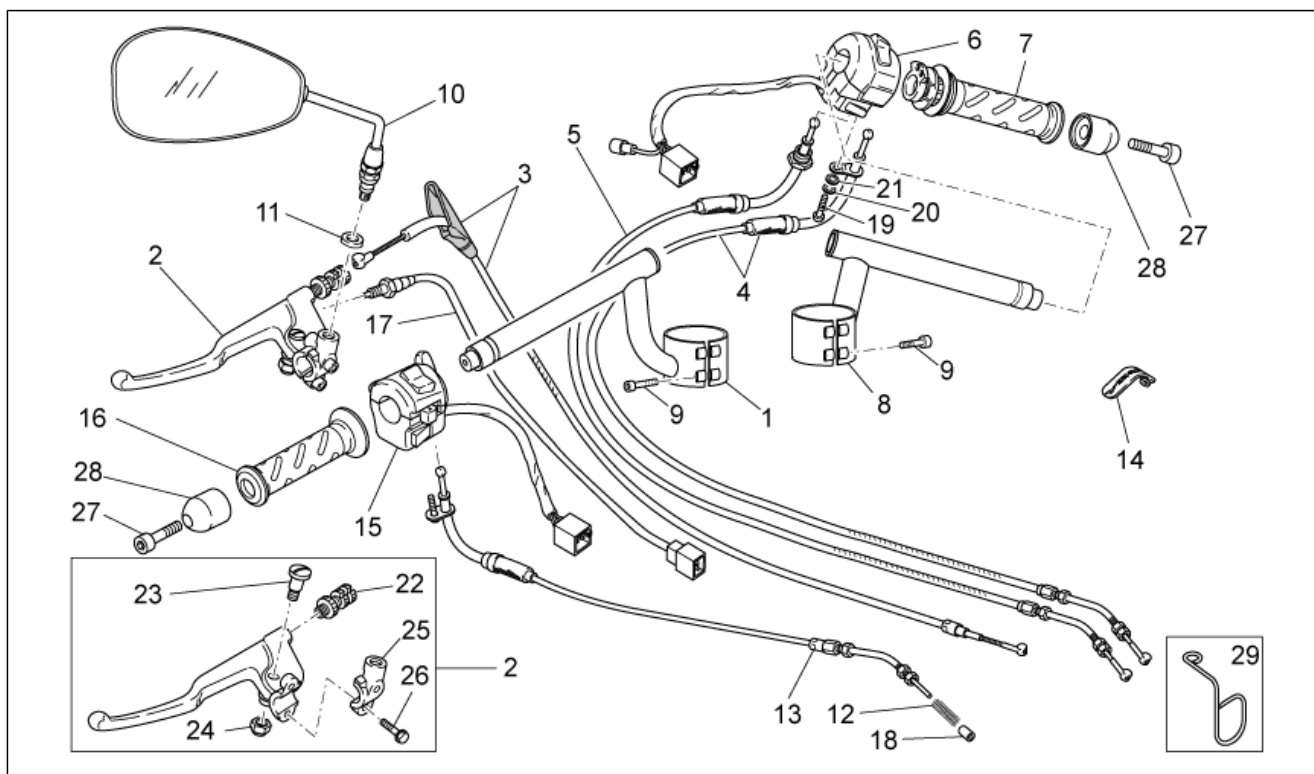
Pos.	Code	Beschrijving	Aant.	Varianten
1	883796	Dashboard cpl.	1	LAND:Australia[AA], Canadian[CA], europa[EU], Japan[J]
1	883797	Dashboard cpl.	1	LAND:Great Britain[UK], USA[USA]
2	GU98370609	Bolbout met binnenzeskant M6x10	3	
3	GU95005306	Sluitring 6,4x13x1,5	3	
4	GU93222023	Silent-block	3	
5	GU95021206	Sluitring	3	
6	GU92606206	Moer	3	
7	AP8121032	Huls	3	

Groep	FRAME
Code	33.18
Beschrijving	Handlebar - Controls
Revisie	1



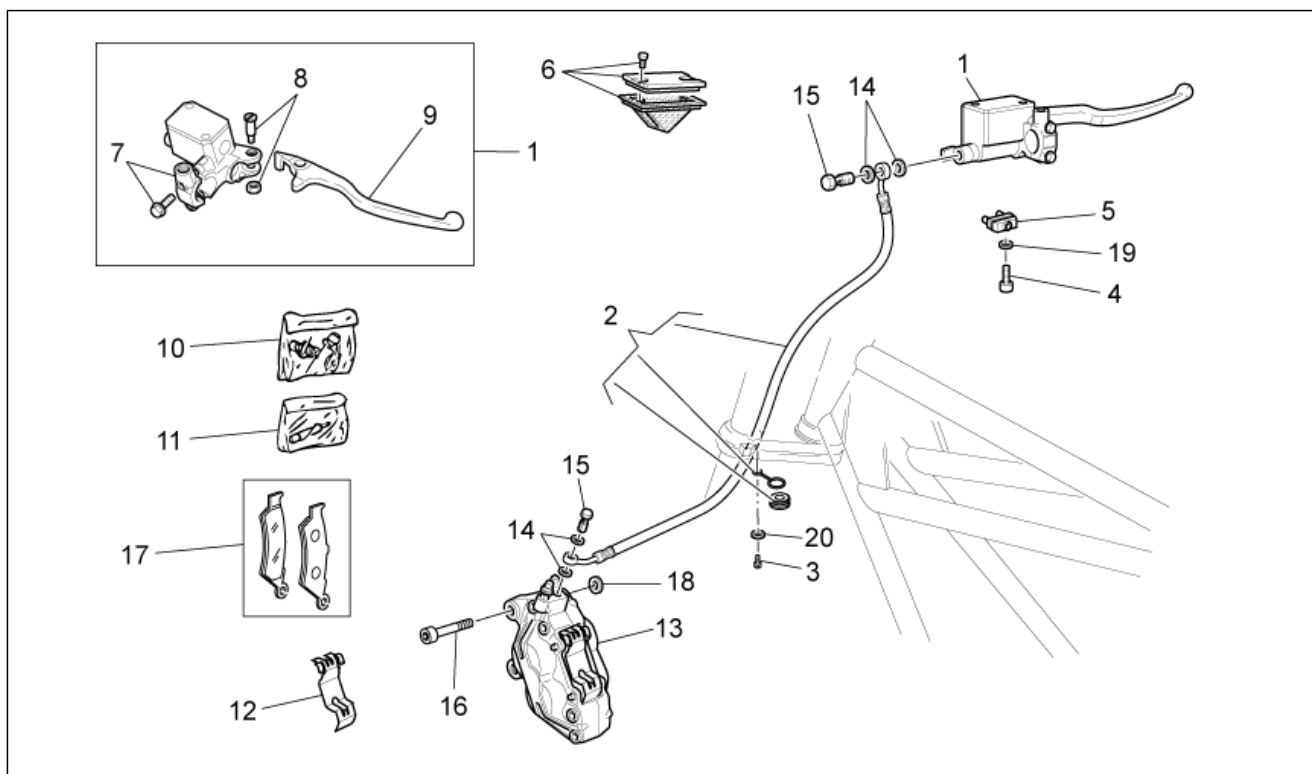
Pos.	Code	Beschrijving	Aant.	Varianten
1	898170	Halfstuur li	1	
2	GU32605510	Koppelingshendel	1	
3	883940	Kabel koppeling	1	
4	GU32117010	Kabel opening gas	1	
5	GU32117011	Kabel sluiting gas	1	
6	GU32738810	Schak.lichten re	1	
7	GU32603310	Handvat re	1	
8	898171	Halfstuur re	1	
9	GU98692325	Binnenzeskantbout M6x25	4	
10	883802	Achteruitkijkspiegel re/li	2	Technical specification:"FU E1181R-001047"[B]
10	978570	Achteruitkijkspiegel re/li	2	Technical specification:"FAR"[A]
11	GU91181003	Afstandhouder 10,25X20X4	2	
12	GU94321074	Veer 7x1,1x25	1	
13	GU32137010	Kabel starter	1	
14	GU01609630	Klemmetje L46 mm	2	
14	GU03609600	Klemmetje L36 mm	1	
15	883075	Schak.lichten li	1	
16	GU32603010	Handvat li	1	
17	GU29759150	Schakelaar standaard	1	
18	GU39094200	Dop	1	
19	GU98230510	Bolbout met binnenzeskant	1	
20	GU95008305	Sluitring 5,3X10X1	1	
21	GU95021105	Getande sluitring	1	
22	GU30602500	Register	1	
23	AP8213028	Bout	1	
24	AP8118490	Moer	1	
25	GU30601060	Klem	1	
26	GU97202325	Zeskantbout gefl.zwart M6x25	2	

Groep	FRAME
Code	33.18
Beschrijving	Handlebar - Controls
Revisie	1



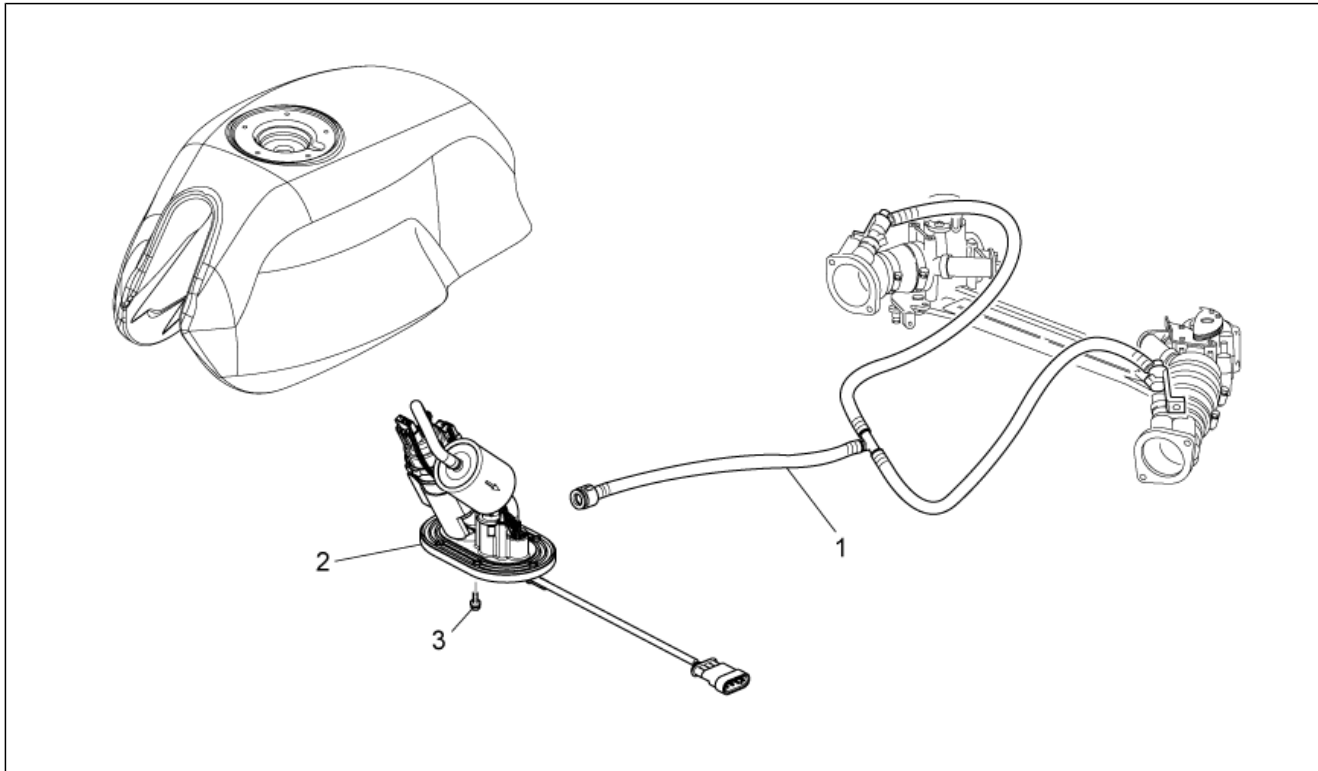
Pos.	Code	Beschrijving	Aant.	Varianten
27	GU98690335	Binnenzeskantbout	2	
28	GU32602860	Antitrilgewicht v.cromo	2	
29	AP8221172	Kabelgeleider	1	

Groep	FRAME
Code	33.19
Beschrijving	Front brake system
Revisie	1



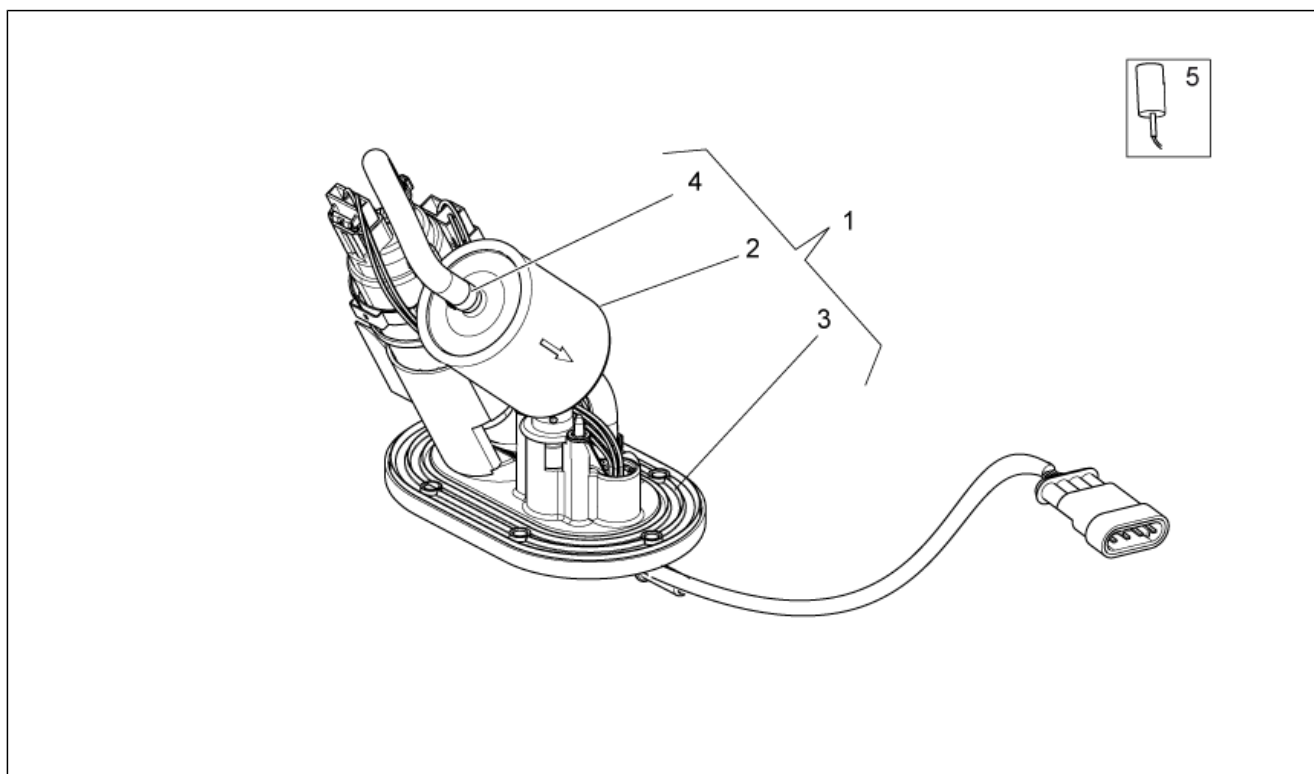
Pos.	Code	Beschrijving	Aant.	Varianten
1	GU03660145	Pomp voorrem	1	
2	883581	Remleiding	1	
3	AP8152277	Zeskantbout geflenst M6x12	1	
4	GU98370412	Bolbout met binnenzeskant M4x12	1	
5	GU03749845	Stopschakelaar	1	
6	GU03661145	Bedekking pomp	1	
7	GU03664045	Beugel	1	
8	GU03604845	Pin hendel	1	
9	GU03605645	Remhendel	1	
10	GU05659230	Ontluchting+kapje	1	
11	GU01659130	Pinnen+Veren tang	1	
12	GU01659131	Veer	1	
13	883303	Tang voorrem li zwart	1	
14	AP8113004	Sluitring 10x14x1,6*	4	
15	978323	Bout olieleiding *	2	
16	AP8152385	Binnenzeskantbout M10x1,25	2	
17	GU01654630	Pastilles - koppel	1	
18	GU91181003	Afstandhouder 10,25X20X4	2	
19	GU95021104	Sluitring 4,3x8x1,5	1	
20	GU95008306	Sluitring 6,4x12x1,2	1	

Groep	FRAME
Code	33.20
Beschrijving	Fuel supply
Revisie	1



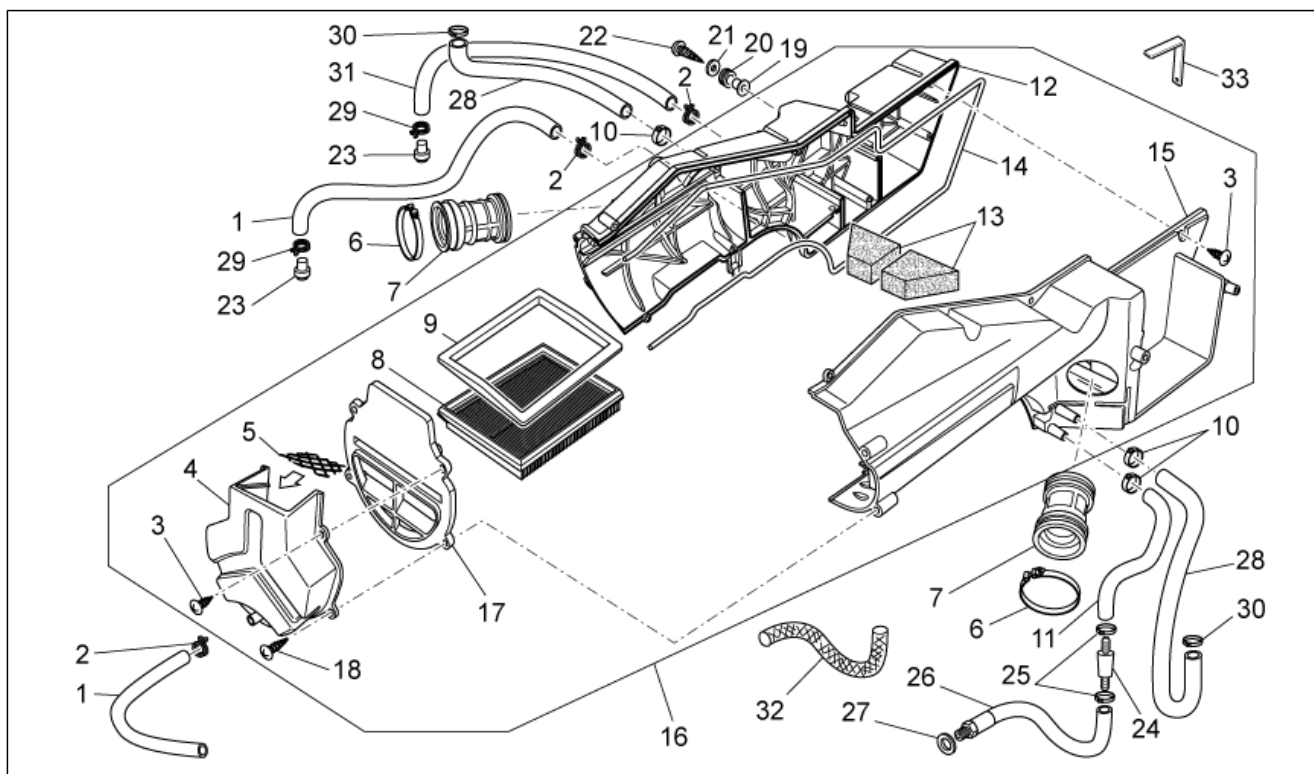
Pos.	Code	Beschrijving	Aant.	Varianten
1	883265	Benzineleiding	1	
2	978930	Benzinepomp	1	
3	AP8152273	Geflenste bout	6	

Groep	FRAME
Code	33.21
Beschrijving	Fuel pump
Revisie	1



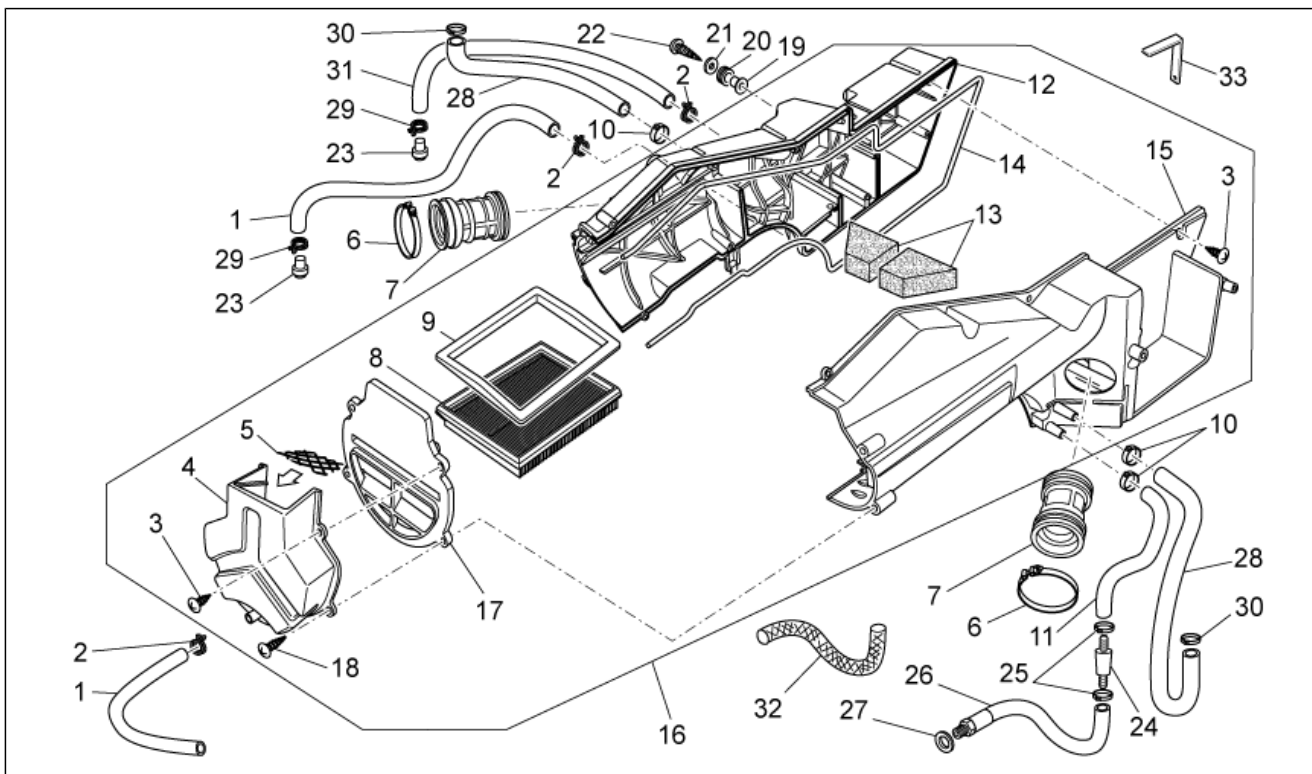
Pos.	Code	Beschrijving	Aant.	Varianten
1	978930	Benzinepomp	1	
2	GU01106090	Benzinefilter	1	
3	GU05107430	Pakking flens	1	
4	GU01108490	Klemmetje 11,3	4	
5	883852	Thermistor	1	

Groep	FRAME
Code	33.22
Beschrijving	Air box
Revisie	1



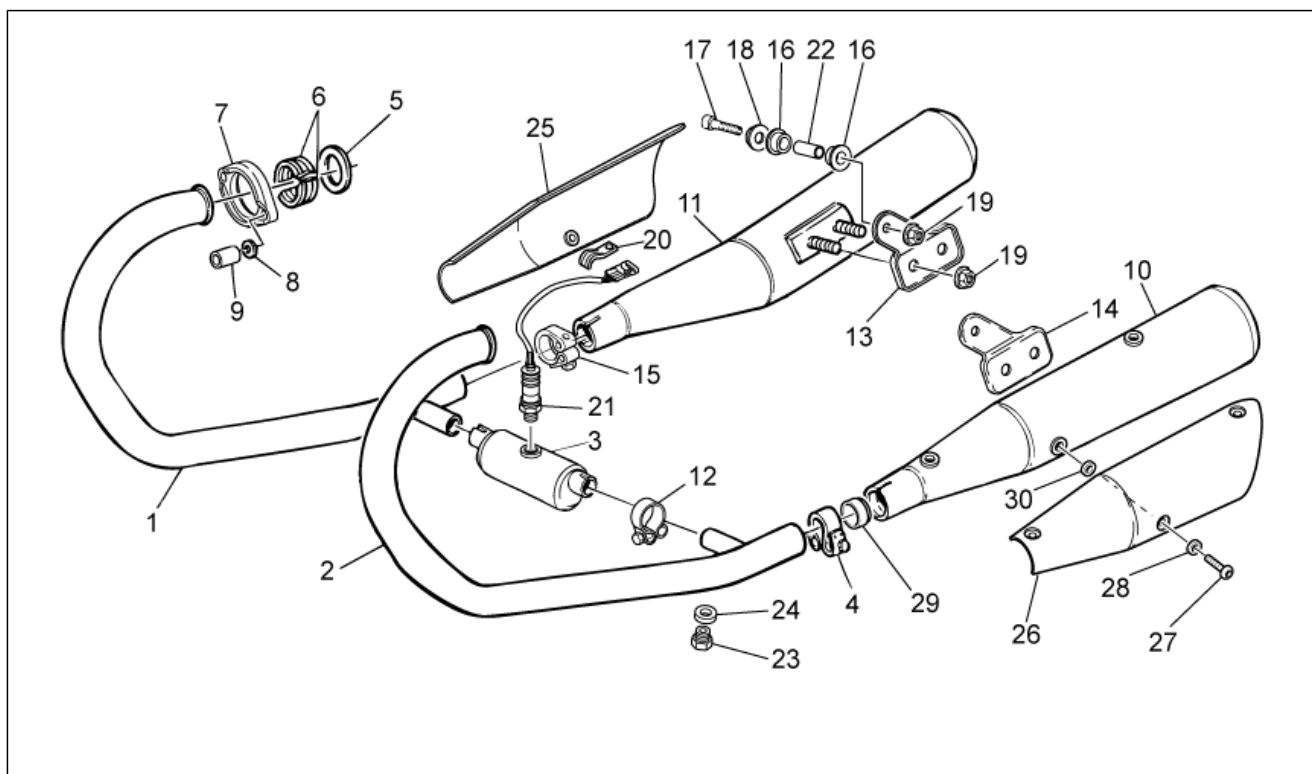
Pos.	Code	Beschrijving	Aant.	Varianten
1	AP8120952	Benzineleiding 5,5x10	2	
2	AP8201358	Klemmetje D 11,9	2	
3	AP8150413	Zelftap. bout 3,9x14	12	
4	GU32116910	Bedekking filter	1	
5	GU32113510	Net filterkast	1	
6	GU93305061	Klemmetje 61/65,5	2	
7	GU32114410	Aanzuigmof	2	
8	AP8104242	Luchtfilter	1	
9	GU32114110	Steun	1	
10	AP8102766	Klemmetje	3	
11	AP8120772	Ontluchtingsbuis	1	
12	GU32114011	Halfdop re	1	
13	AP8104525	Filter blow-by	2	
14	AP8120615	Pakking D3	3	
15	883697	Halfdop li	1	
16	883696	Filterkast	1	
17	GU32113410	Dop	1	
18	AP8152329	Bout SWP kruiskop gefl. M5x20	3	
19	GU30576100	Afstandhouder D.6,5	3	
20	GU91551010	Rubbetje	3	
21	GU95100059	Sluitring 5,25x14x1,5	3	
22	AP8152329	Bout SWP kruiskop gefl. M5x20	3	
23	AP8120876	Sluitdop	3	
24	AP8104251	Klep ontluchting olie	1	
25	AP8102159	Klemmetje	2	
26	GU32159310	Buis recup.olie	1	
27	GU90714082	Pakking	1	
28	GU32159610	Ontluchtingsbuis	2	

Groep	FRAME
Code	33.22
Beschrijving	Air box
Revisie	1



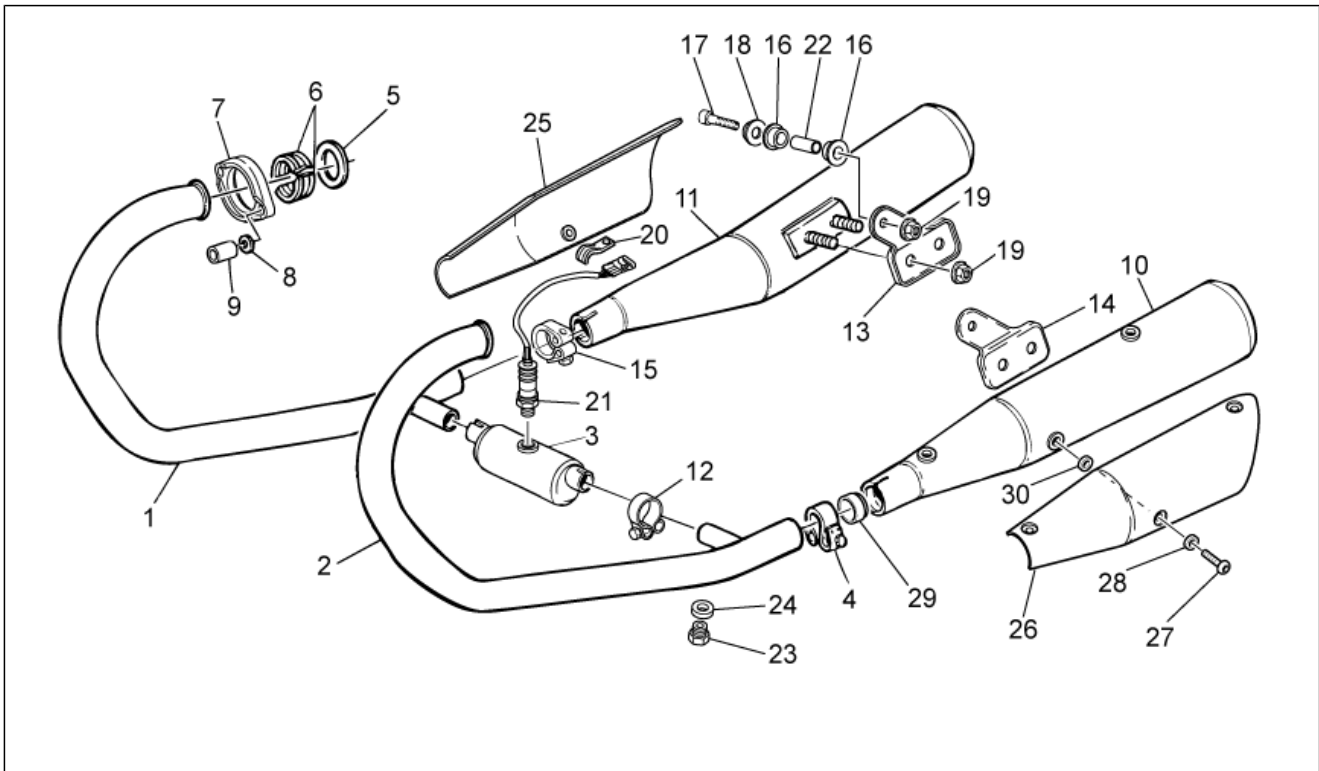
Pos.	Code	Beschrijving	Aant.	Varianten
29	GU61108500	Klemmetje D9	2	
30	AP8102239	Klemmetje 12,5x8	2	
31	AP8144038	Benzineleiding 6x10	1	
32	GU00823923140	Thermische gaine	1	
33	GU31112965	Steunbeugel filter	1	

Groep	FRAME
Code	33.23
Beschrijving	Exhaust unit
Revisie	1



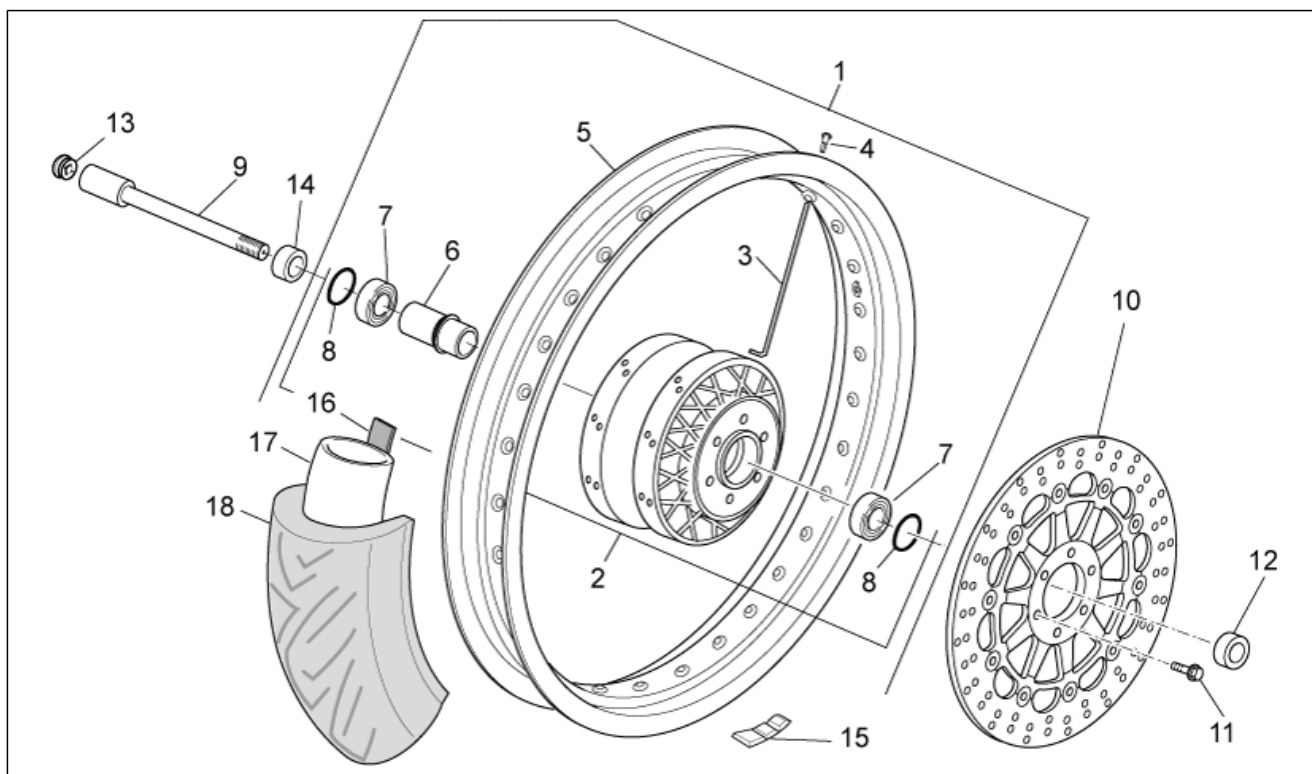
Pos.	Code	Beschrijving	Aant.	Varianten
1	883870	Buis afvoer re	1	LAND:Japan[J]
1	GU32120710	Buis afvoer re	1	LAND:Australia[AA], Canadian[CA], europa[EU], Great Britain[UK], USA[USA]
2	883871	Buis uitlaat li	1	LAND:Japan[J]
2	GU32120711	Buis uitlaat li	1	LAND:Australia[AA], Canadian[CA], europa[EU], Great Britain[UK], USA[USA]
3	GU32123910	Expansiekamer	1	
4	978387	Band geluiddemper li	1	
5	GU19025280	Pakking	2	
6	GU19025460	Afstandhouder	4	
7	GU32121010	Moer	2	
8	GU03013800	Sluitring 6,4x12	4	
9	GU31121880	Moer	4	
10	883712	Geluiddemper li	1	
11	883711	Geluiddemper re	1	
12	978385	Klemmetje	2	
13	GU32128610	Plaat re	1	
14	GU32129010	Plaat li	1	
15	978386	Band geluiddemper re	1	
16	AP8144071	Rubbetje uitlaat	4	
17	GU98680440	Binnenzeskantbout M8x40	2	
18	AP8134378	Huls bevestiging geluiddemper	2	
19	GU92640508	Moer M8	6	
20	GU93301175	Beugel	1	
21	GU32727010	Lambdasonde	1	
22	AP8121072	Afstandhouder	2	
23	GU98110007	Dop	2	
24	GU30109330	Pakking	2	

Groep	FRAME
Code	33.23
Beschrijving	Exhaust unit
Revisie	1



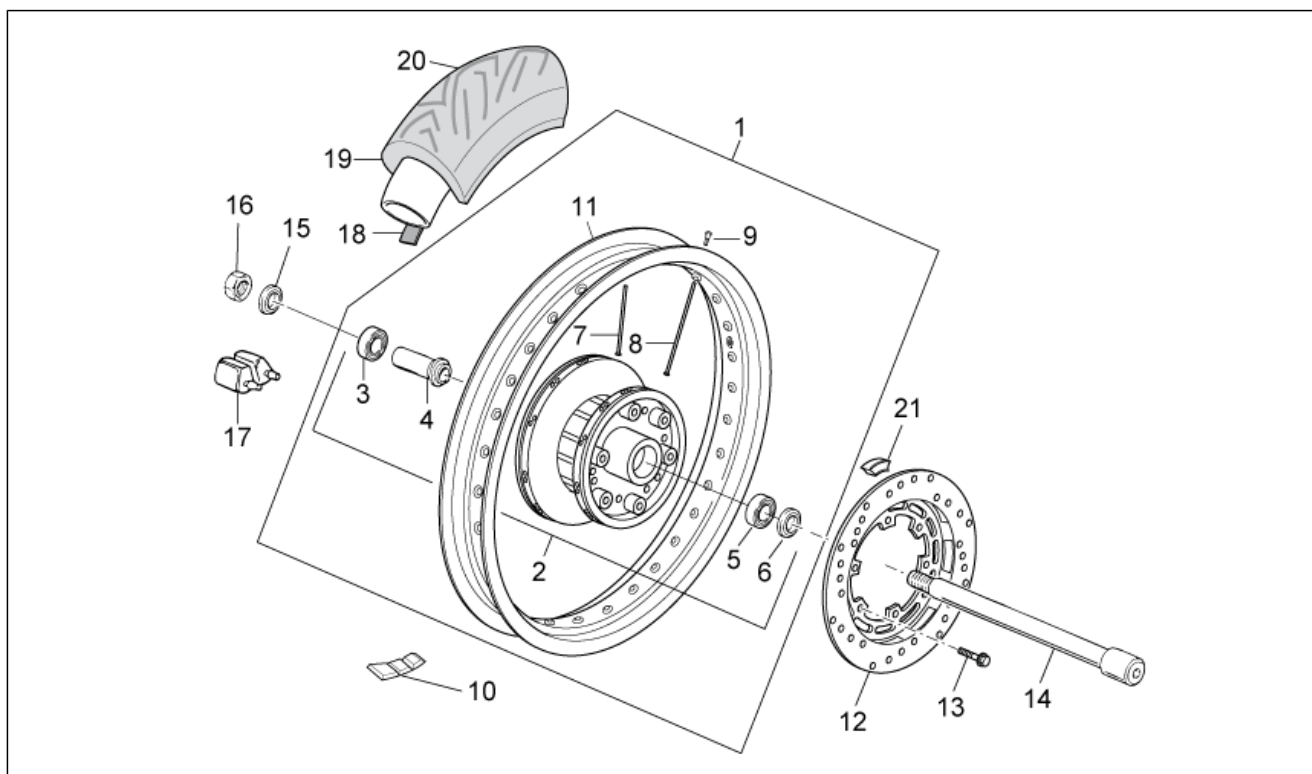
Pos.	Code	Beschrijving	Aant.	Varianten
25	GU32121910	Bescherming re	1	
26	GU32121911	Bescherming li	1	
27	GU98370609	Bolbout met binnenzeskant M6x10	6	
28	GU95005306	Sluitring 6,4x13x1,5	6	
29	GU91113826	Beslagring	2	
30	AP8221297	Isolerende sluitring	6	

Groep	FRAME
Code	33.24
Beschrijving	Front wheel
Revisie	1



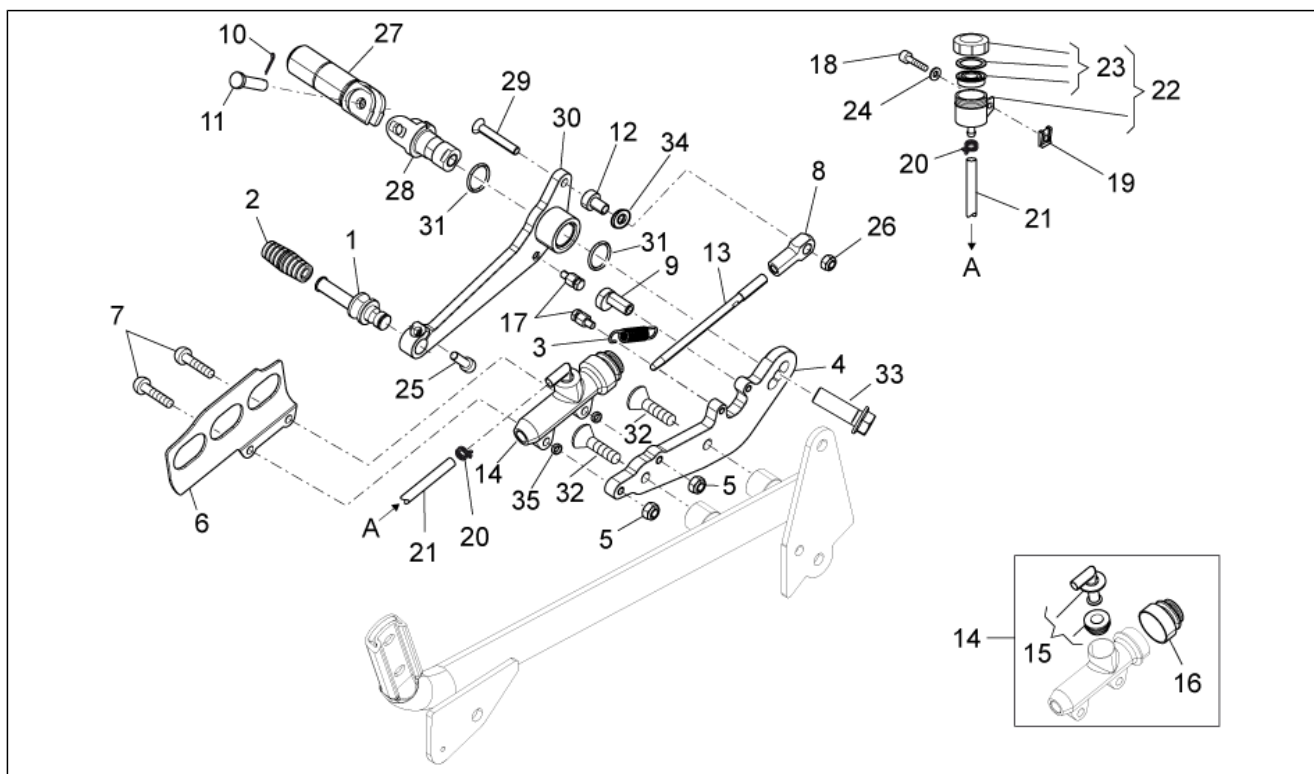
Pos.	Code	Beschrijving	Aant.	Varianten
1	898167	Voorwiel naked	1	
2	886681	Voornaaf	1	
3	GU32611660	Spaak	36	
4	GU03631250	Nippels	36	
5	898118	Wheel	1	
6	GU31615260	Afstandhouder lagers	1	
7	GU92204221	Lager	2	
8	GU90402642	Dichtingsring	1	
9	GU31614183	Pin voorwiel	1	
10	883688	Remschijf voor 320	1	
11	AP8152286	Zeskantbout geflenst M8x20	6	
12	GU31616384	Afstandhouder li	1	
13	GU93180111	Dop 15 mm	1	
14	GU32615660	Afstandhouder re	1	
15	GU14616150	Tegengewicht	1	
16	0000000	Bedekking 110/90"	1	
17	0000000	Bedekking 110/90"	1	
18	0000000	Bedekking 110/90"	1	

Groep	FRAME
Code	33.25
Beschrijving	Rear wheel
Revisie	1



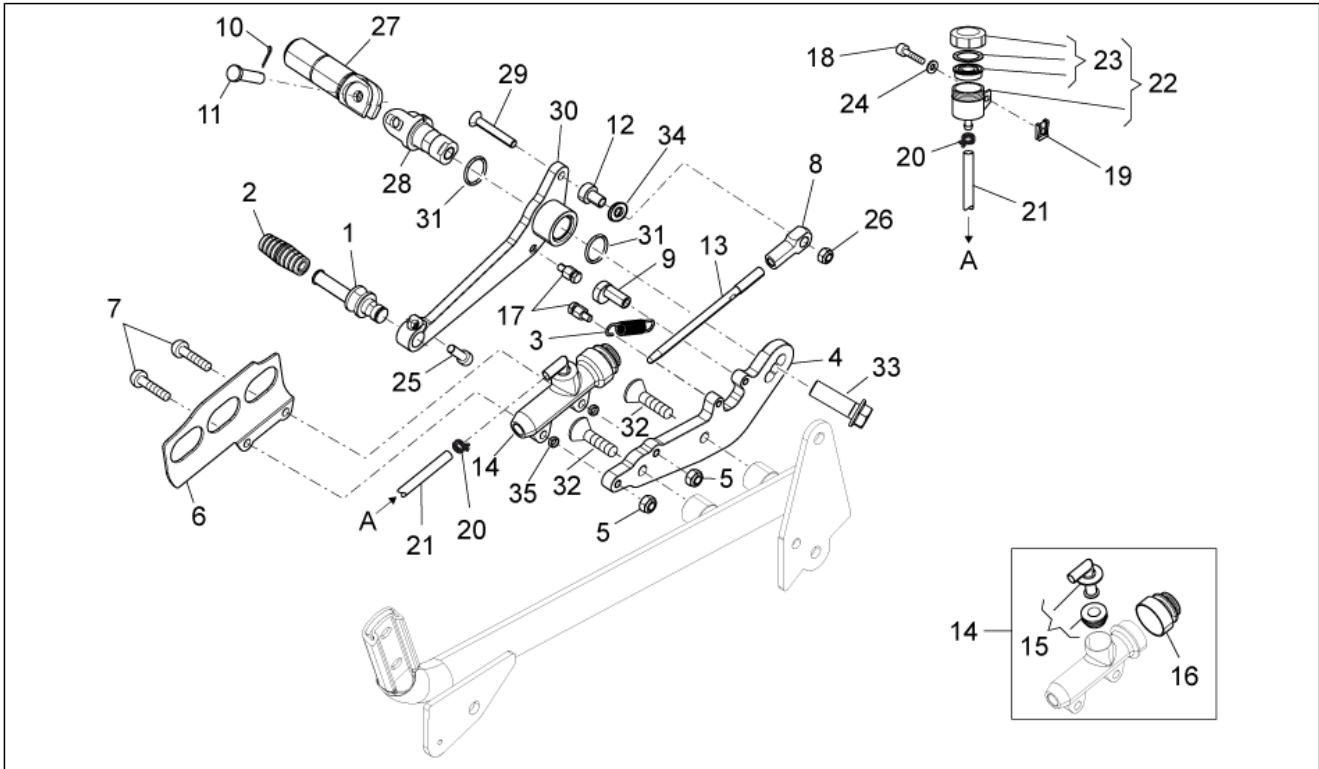
Pos.	Code	Beschrijving	Aant.	Varianten
1	898168	Achterwiel 3.5"x17"	1	
2	886711	Achternaaf	1	
3	GU92204218	Lager	1	
4	GU27633910	Afstandhouder	1	
5	GU92204217	Lager	1	
6	GU90402538	Dichtingsring 25x40x7	1	
7	883350	Spaak kort	18	
8	883349	Spaak lang mm 158	18	
9	GU03631250	Nippels	36	
10	GU14616150	Tegengewicht	1	
11	898120	WHEEL rim	1	
12	GU31613381	Remschijf	1	
13	GU98682425	Binnenzeskantbout M8x25	6	
14	GU32633360	Pin achterwiel	1	
15	GU31634481	Sluitring	1	
16	GU92606316	Moer M16x1,5	1	
17	GU32632510	Element schokbesch.	6	
18	0000000	Bedekking 110/90"	1	
19	0000000	Bedekking 110/90"	1	
20	0000000	Bedekking 110/90"	1	
21	GU32636160	Rubber	1	

Groep	FRAME
Code	33.26
Beschrijving	Rear master cylinder
Revisie	1



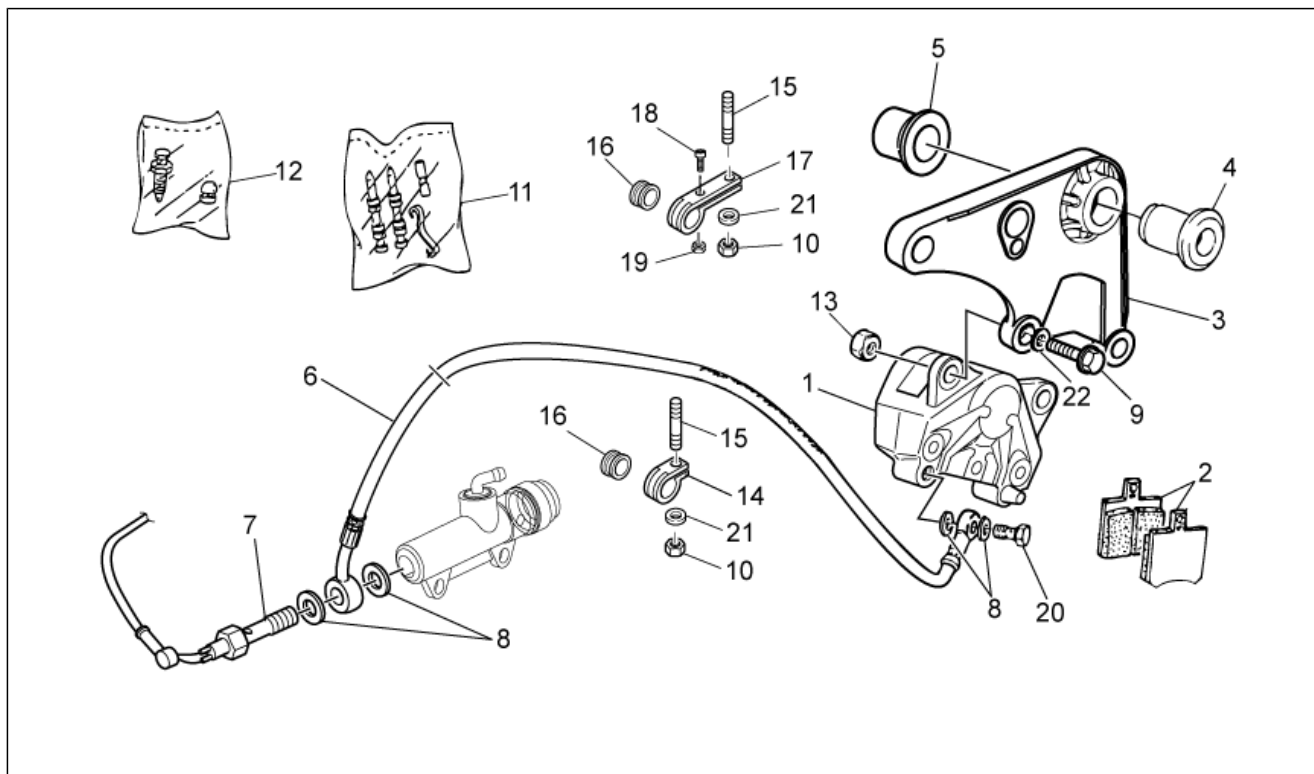
Pos.	Code	Beschrijving	Aant.	Varianten
1	886665	Pin	1	
2	AP8120912	Rubbetje voor hendel	1	
3	AP8121927	Veer hendel achterrem	1	
4	898288	Piastra pedana pilota	1	
5	GU92630206	Moer M6x1	2	
6	GU01665410	Bescherming rem pomp zwart	1	
7	GU98370625	Bolbout met binnenzeskant	2	
8	GU18257551	Blokje	1	
9	886666	Excentrieke huls	1	
10	GU95401215	Splitpen	1	
11	GU23442210	Pin	1	
12	898287	Pin hendel	1	
13	978970	Staaft pomp rem	1	
14	AP8133643	Pomp achterrem	1	
15	AP8213057	Verbinding pomp acht.	1	
16	AP8113288	Blower van rubber	1	
17	898286	Pin koppeling veren	2	
18	GU98682215	Binnenzeskantbout	1	
19	AP8102375	Clip m5	1	
20	AP8101594	Klemmetje D10,1*	2	
21	GU00823950050	Olieleiding	1	
22	AP8133873	Oliereservoir remmen cpl.	1	
23	AP8113553	Tankdop	1	
24	GU95100059	Sluitring 5,25x14x1,5	1	
25	AP8150044	Binnenzeskantbout M6x20	1	
26	AP8150115	Zelfborg. moer laag M6	1	
27	898281	Voetensteun bestuurder re	1	
28	898612	Steun voetst. bestuurder re	1	

Groep	FRAME
Code	33.26
Beschrijving	Rear master cylinder
Revisie	1



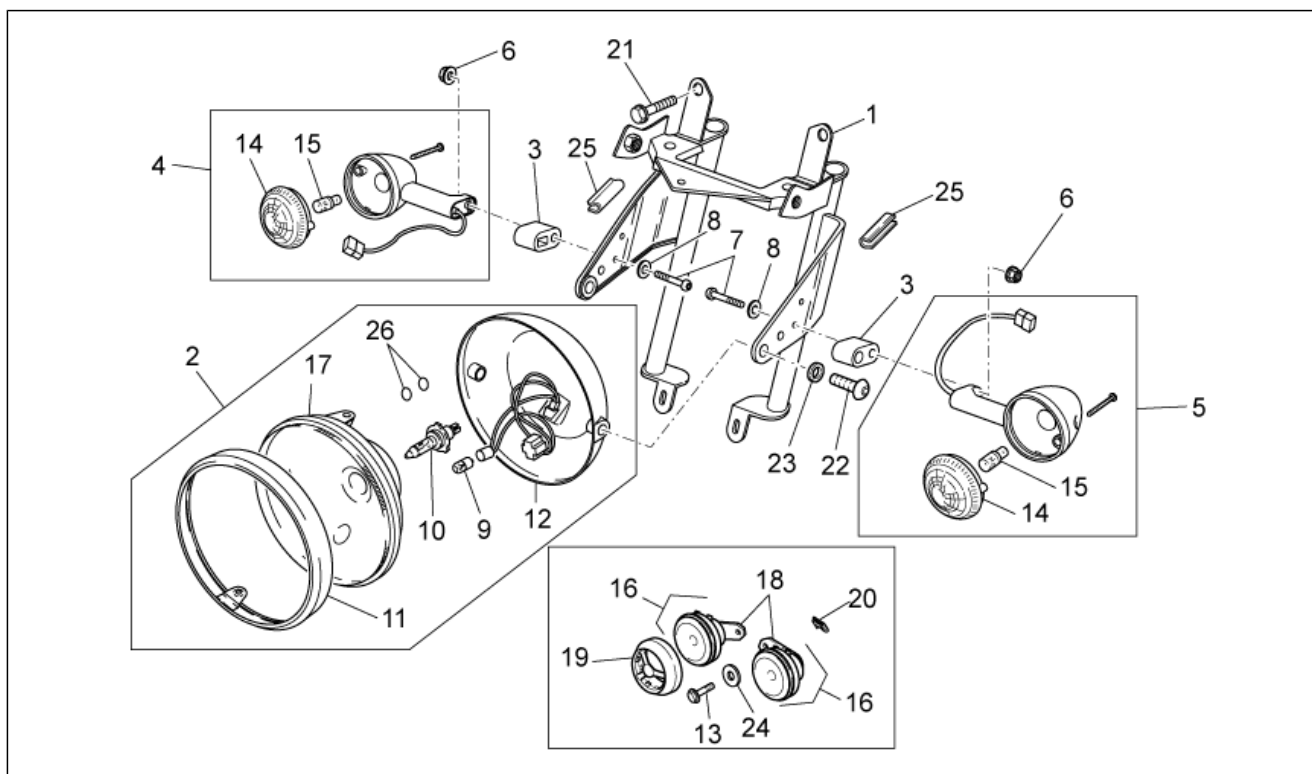
Pos.	Code	Beschrijving	Aant.	Varianten
29	AP8150468	Binnenzeskantbout met verzonken kop M6x40	1	
30	898285	Remhendel	1	
31	AP9100477	O-ring 18x2	2	
32	GU98252420	Binnenzeskantbout met verzonken kop M8x20	2	
33	AP8152320	Zeskantbout geflenst	1	
34	GU03270300	Sluitring 8,4x15	1	
35	AP8134640	Afstandhouder filterkast	2	

Groep	FRAME
Code	33.27
Beschrijving	Rear brake caliper
Revisie	1



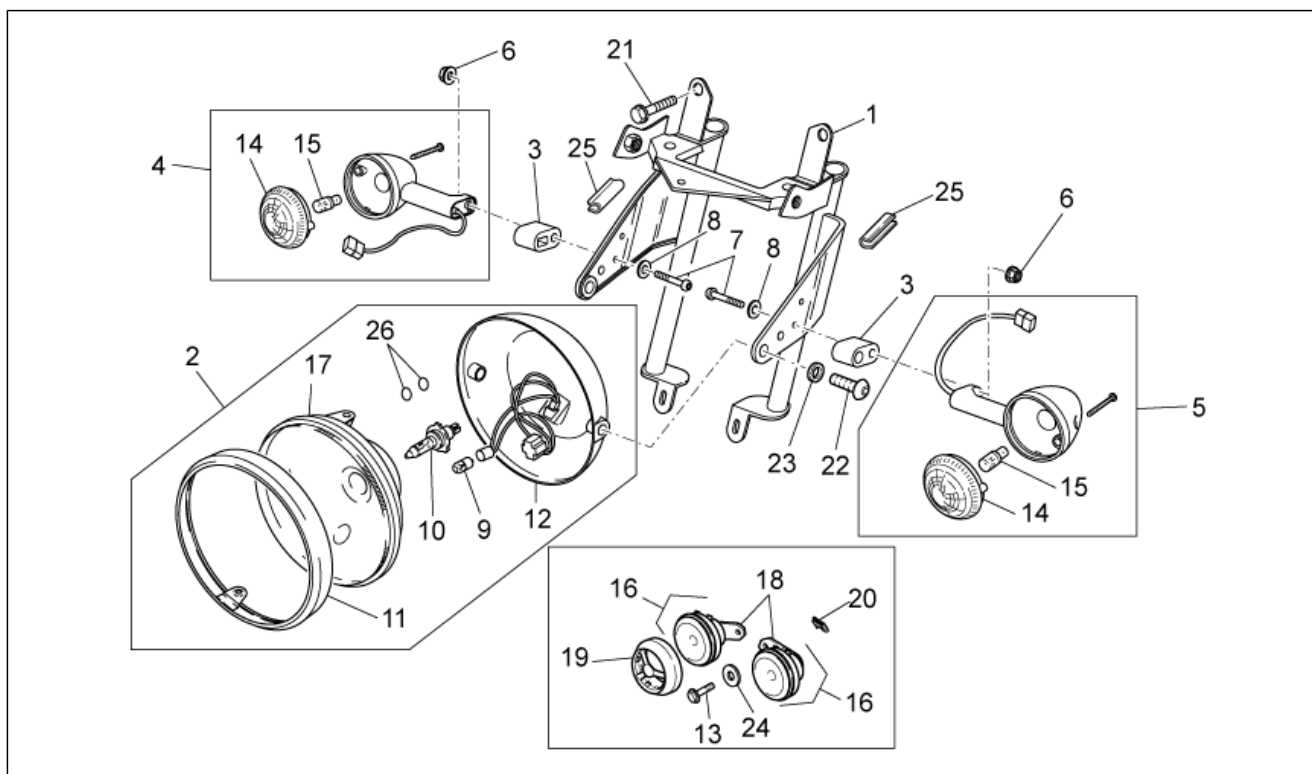
Pos.	Code	Beschrijving	Aant.	Varianten
1	883296	Tang achterrem Brembo	1	
2	GU31654681	Pastilles - koppel	1	
3	GU326358601	Plaat koppeling remtang	1	
4	GU31634281	Beslagring	1	
5	GU32634160	Afstandhouder	1	
6	883180	Remleiding	1	
7	883192	Hydraulische schakelaar	1	
8	AP8113004	Sluitring 10x14x1,6*	4	
9	GU97202435	Bout	2	
10	AP8152299	Zelfborg.bout gefl. M6	2	
11	GU31659181	Kit pinnen+veer	1	
12	GU31659281	Ontluchting+kapje	1	
13	AP8152300	Zelfborg.bout gefl. M8	2	
14	GU03658430	Klemmetje	1	
15	GU96451316	Stiftbout	1	
16	GU03658201	Ring	2	
17	GU03658330	Klemmetje	1	
18	GU98257410	Bout	1	
19	GU92630104	Moer M4x0,7	1	
20	978323	Bout olieleiding *	1	
21	GU95008306	Sluitring 6,4x12x1,2	2	
22	GU03270300	Sluitring 8,4x15	1	

Groep	FRAME
Code	33.28
Beschrijving	Front lights
Revisie	1



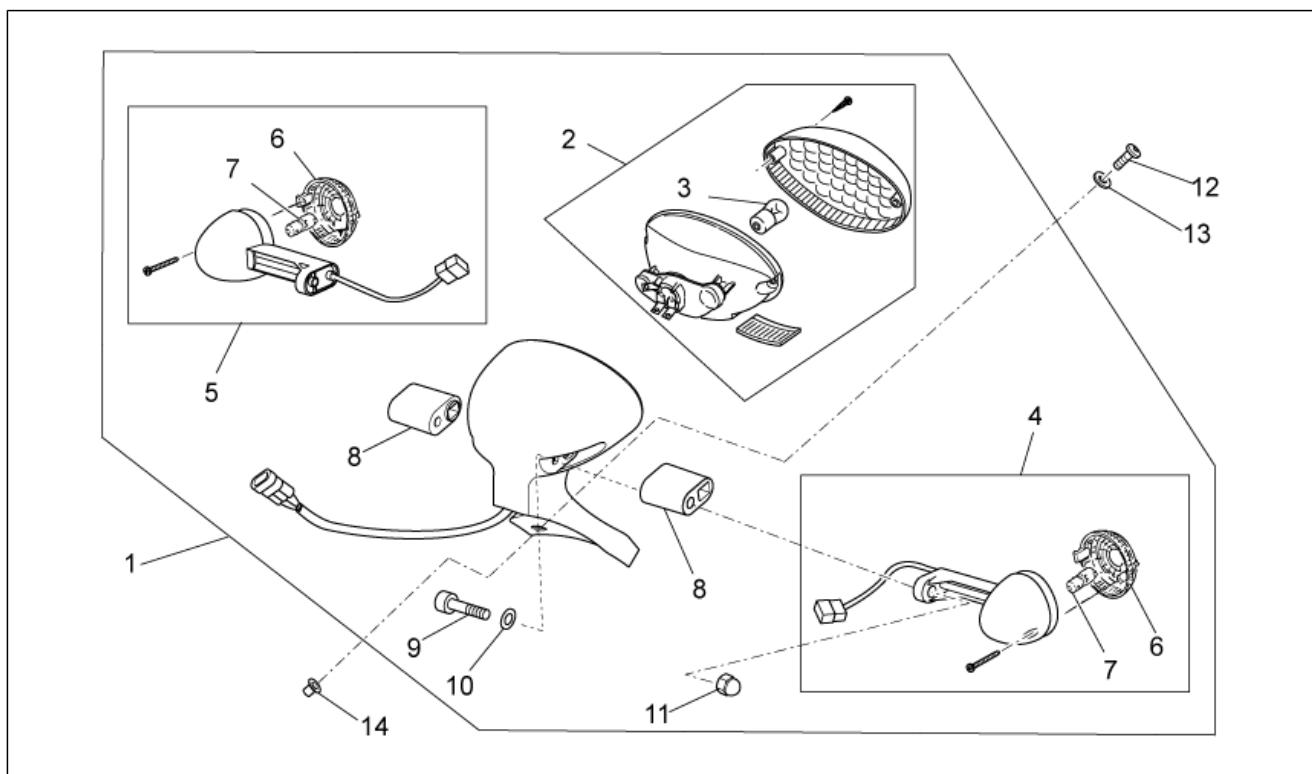
Pos.	Code	Beschrijving	Aant.	Varianten
1	GU32506360	Steunbeugel licht	1	
2	978311	Voorlicht	1	LAND:Canadian[CA], europa[EU], USA[USA]
2	978662	Voorlicht m/o geleider li	1	LAND:Australia[AA], Japan[J], Great Britain[UK]
3	GU32753410	Afstandhouder	2	
4	GU32750660	Richt.aanw. voor.re/acht.li	1	LAND:Australia[AA], europa[EU], Japan[J], Great Britain[UK]
4	GU32750661	Richt.aanw. voor.re/acht.li	1	LAND:Canadian[CA], USA[USA]
5	883478	Richt.aanw. voor.li/acht.re	1	LAND:Canadian[CA], USA[USA]
5	GU06751600	Richt.aanw. voor.li/acht.re	1	LAND:Australia[AA], europa[EU], Japan[J], Great Britain[UK]
6	GU92787006	Moer blind M6x1	2	
7	GU98370655	Bolbout met binnenzeskant	2	
8	GU95021206	Sluitring	2	
9	292022	Lamp 12V-5W	1	
10	292723	Lamp H4 60/55W 12V	1	
11	640598	Moer verchr.	1	
12	981149	Cap, black	1	LAND:Canadian[CA], europa[EU], USA[USA]
12	GU06740200	Kap verchr. voorlicht	1	LAND:Australia[AA], Japan[J], Great Britain[UK]
13	AP8152278	Zeskantbout geflenst M6x16	2	
14	GU32753711	Glas richtingaanw.	2	LAND:Canadian[CA], USA[USA]
14	GU32753760	Glas richtingaanw.	2	LAND:Australia[AA], europa[EU], Japan[J], Great Britain[UK]
15	584332	Lamp 12V-10W	2	LAND:Australia[AA], europa[EU], Japan[J], Great Britain[UK]
15	GU93450127	Lamp	2	LAND:Canadian[CA], USA[USA]
16	886714	Claxon	2	
17	GU06740400	Optische groep	1	LAND:Canadian[CA], europa[EU], USA[USA]
18	GU01744200	Beugel	6	
19	GU03744760	Masker claxon	2	

Groep	FRAME
Code	33.28
Beschrijving	Front lights
Revisie	1



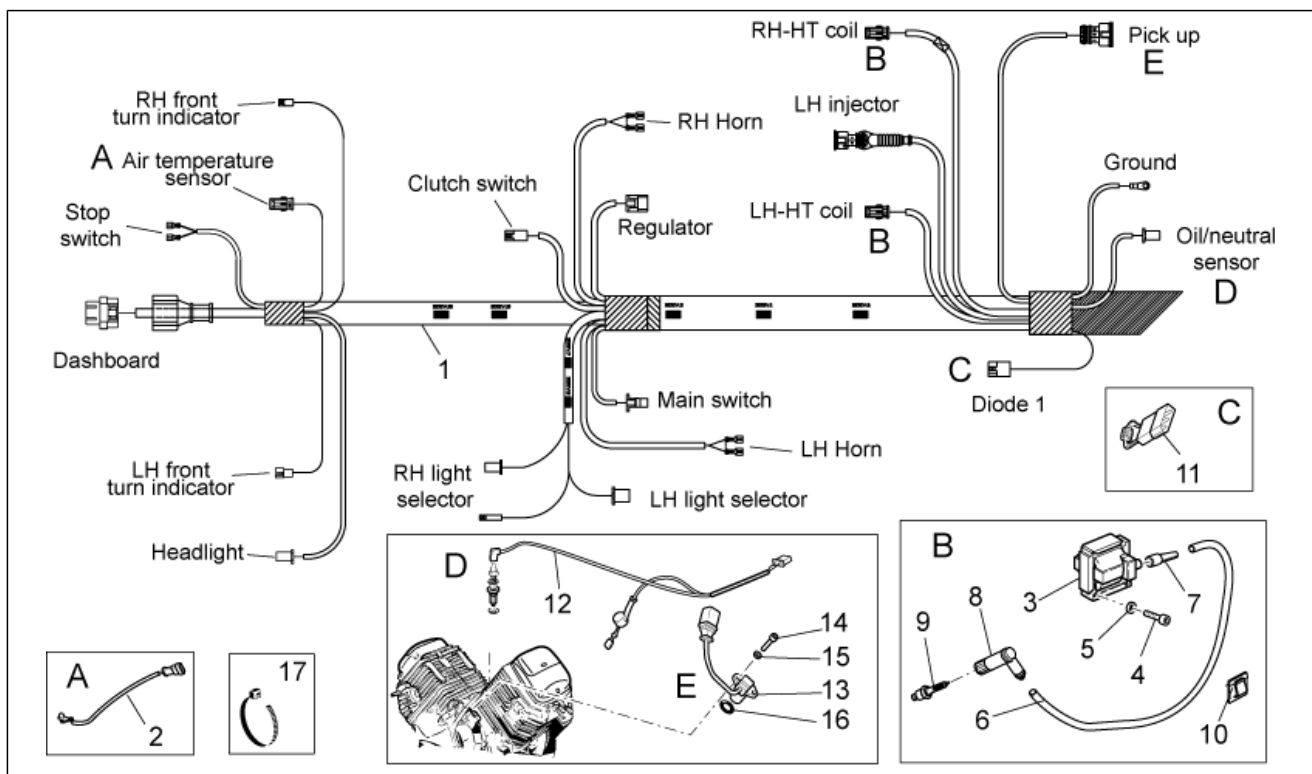
Pos.	Code	Beschrijving	Aant.	Varianten
20	GU28576591	Clip M6	2	
21	GU98880540	Bout M10x40	2	
22	GU98370831	Bolbout met binnenzeskant M8x30	2	
23	GU95005308	Sluitring 8,4x14,57x1,6	2	
24	GU95100141	Sluitring 6,4x12x1,2	2	
25	GU00823931055	Pakking	1	
26	883417	OR-ring	2	

Groep	FRAME
Code	33.29
Beschrijving	Rear lights
Revisie	1



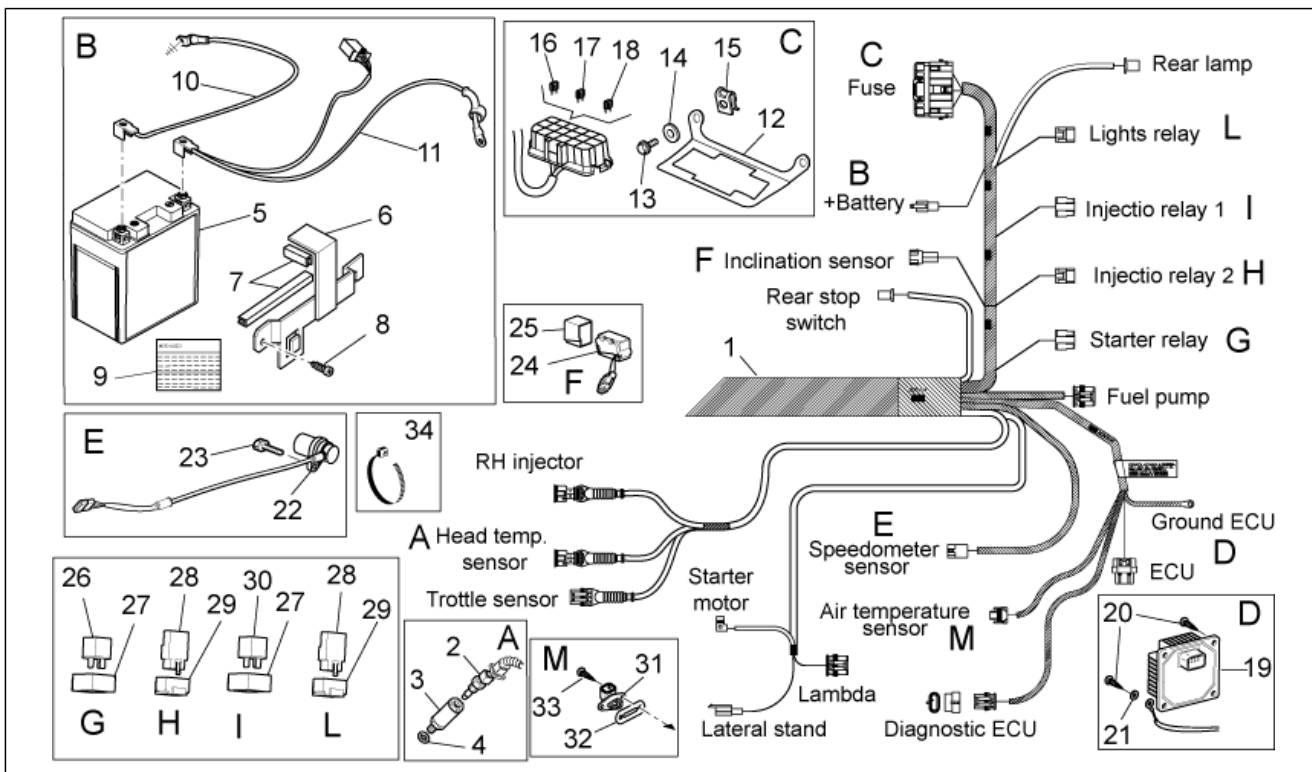
Pos.	Code	Beschrijving	Aant.	Varianten
1	883479	Achterlicht cpl.	1	LAND:Canadian[CA], USA[USA]
1	97895015	Achterlicht cpl.	1	LAND:Australia[AA], europa[EU], Japan[J], Great Britain[UK]
2	GU03740930	Achterlicht	1	
3	GU93450224	Lamp	1	
4	GU32750660	Richt.aanw. voor.re/acht.li	1	LAND:Australia[AA], europa[EU], Japan[J], Great Britain[UK]
4	GU32750661	Richt.aanw. voor.re/acht.li	1	LAND:Canadian[CA], USA[USA]
5	GU06751600	Richt.aanw. voor.li/acht.re	1	
5	GU06751601	Richt.aanw. voor.li/acht.re	1	LAND:Canadian[CA], USA[USA]
6	GU32753711	Glas richtingaanw.	2	LAND:Canadian[CA], USA[USA]
6	GU32753760	Glas richtingaanw.	2	LAND:Australia[AA], europa[EU], Japan[J], Great Britain[UK]
7	584332	Lamp 12V-10W	2	LAND:Australia[AA], europa[EU], Japan[J], Great Britain[UK]
7	GU93450127	Lamp	2	LAND:Canadian[CA], USA[USA]
8	GU32753410	Afstandhouder	2	
9	GU98370655	Bolbout met binnenzeskant	2	
10	GU95021206	Sluitring	2	
11	GU92787006	Moer blind M6x1	2	
12	GU98350215	Bolbout met binnenzeskant	3	
13	GU30577800	Sluitring in nylon 5,5X12X1	3	
14	GU93231605	Huls antitrilling	3	

Groep	FRAME
Code	33.30
Beschrijving	Electrical system I
Revisie	1



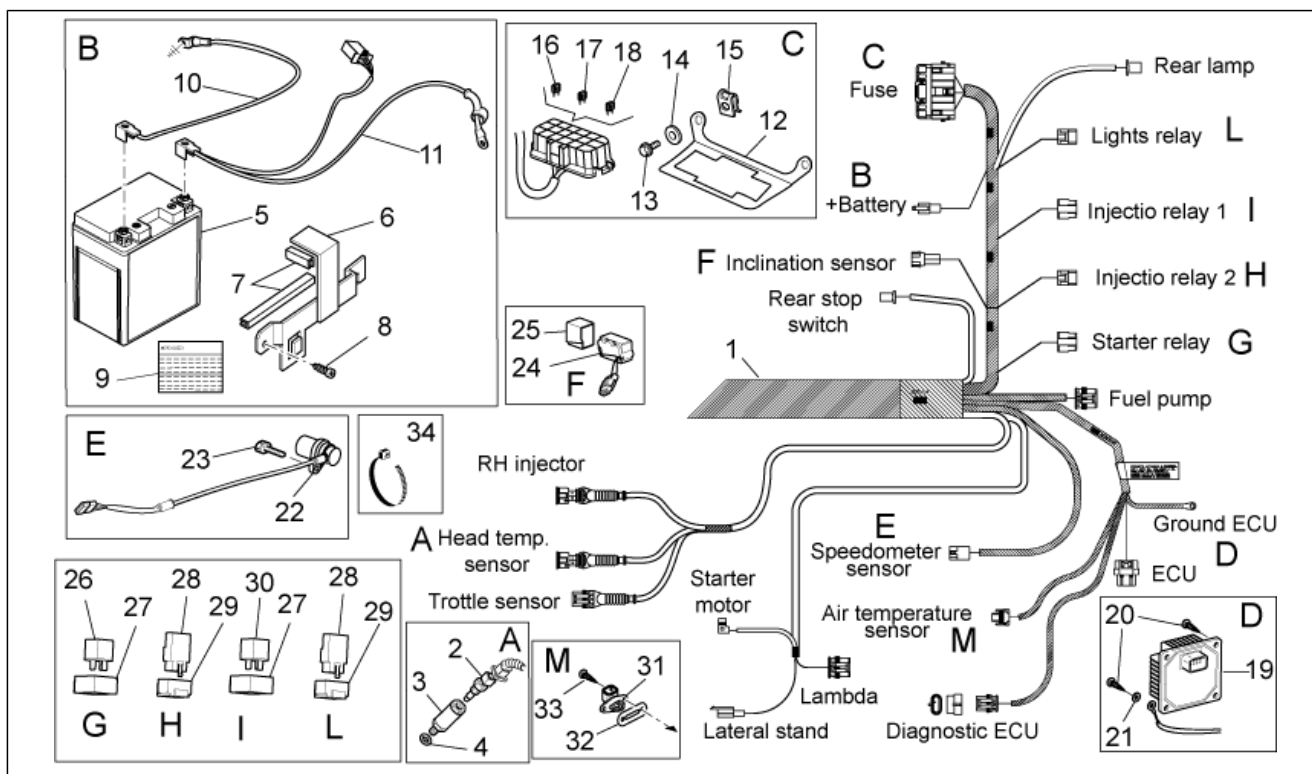
Pos.	Code	Beschrijving	Aant.	Varianten
1	883077	Hoofdzakelijke bekabeling	1	
2	AP8124936	Sensor luchttemperatuur	1	
3	GU30716500	H.S. bobine	2	
4	GU98682125	Binnenzeskantbout	4	
5	GU95008204	Sluitring 4,3x8x0,5	4	
6	GU01718330	H.S. kabel	2	
7	GU14717600	Kapje	2	
8	GU01717430	Pipet bougie	2	
9	GU31717061	Bougie NGK BR8ES	2	
10	AP8120708	Kabelgeleider	6	
11	AP8212588	Veiligheidsdiode	1	
12	GU32724510	Bekabeling vrij-olie	1	
13	GU01721600	Fasesensor	1	
14	GU98682212	Binnenzeskantbout M5x12	2	
15	GU95008205	Sluitring 5,3x10x0,8	2	
16	GU90706141	OR-ring	1	
17	GU14609650	Klemmetje 3,6x20,6	31	
17	GU49609601	Klemmetje 2,4x92	1	

Groep	FRAME
Code	33.31
Beschrijving	Electrical system II
Revisie	1



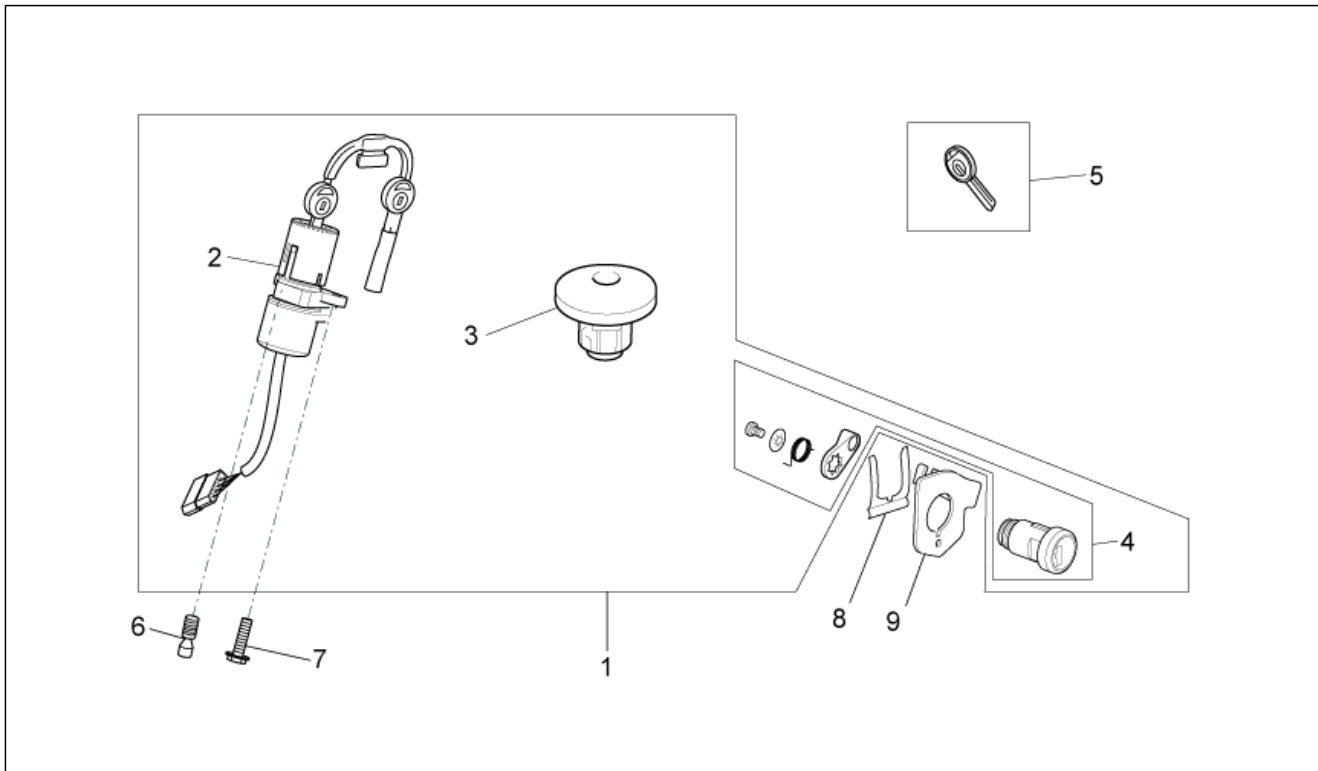
Pos.	Code	Beschrijving	Aant.	Varianten
1	883077	Hoofdzakelijke bekabeling	1	
2	GU29729461	Temperatuursensor olie	1	
3	GU03163330	Steun sensor	1	
4	GU95004210	Sluitring 10,2x18x2	1	
5	640201	Accu	1	
6	GU32418210	Beugel	1	
7	AP8144538	Pakking	1	
8	AP8152329	Bout SWP kruiskop gefl. M5x20	2	
9	GU32517710	Plaat "Battery service"	1	
10	GU32747910	Bekabeling massa-accu	1	
11	883191	Bekabeling	1	
12	883161	Steun zek.houder	1	
13	GU98682212	Binnenzeskantbout M5x12	2	
14	GU95100059	Sluitring 5,25x14x1,5	2	
15	AP8102375	Clip m5	2	
16	290860	Zekering 15A	3	
17	AP8127346	Zekering 3A	1	
18	GU28742562	Zekering 30A	2	
19	883798	Centrale	1	LAND:Australia[AA], europa[EU], Great Britain[UK]
19	CM2271024	Centrale	1	LAND:Japan[J]
20	AP8152329	Bout SWP kruiskop gefl. M5x20	4	
21	GU95129101	Sluitring	1	
22	AP8124528	Sensor snelheidsmeter cpl.	1	
23	AP8152277	Zeskantbout geflenst M6x12	2	
24	584509	Sensore antiribaltamento	1	
25	AP8144046	Steunrubbertje sensor	1	
26	GU29732550	Relais schakelaar 5 pin	1	
27	AP8220546	Rubbertje steun relais	2	

Groep	FRAME
Code	33.31
Beschrijving	Electrical system II
Revisie	1



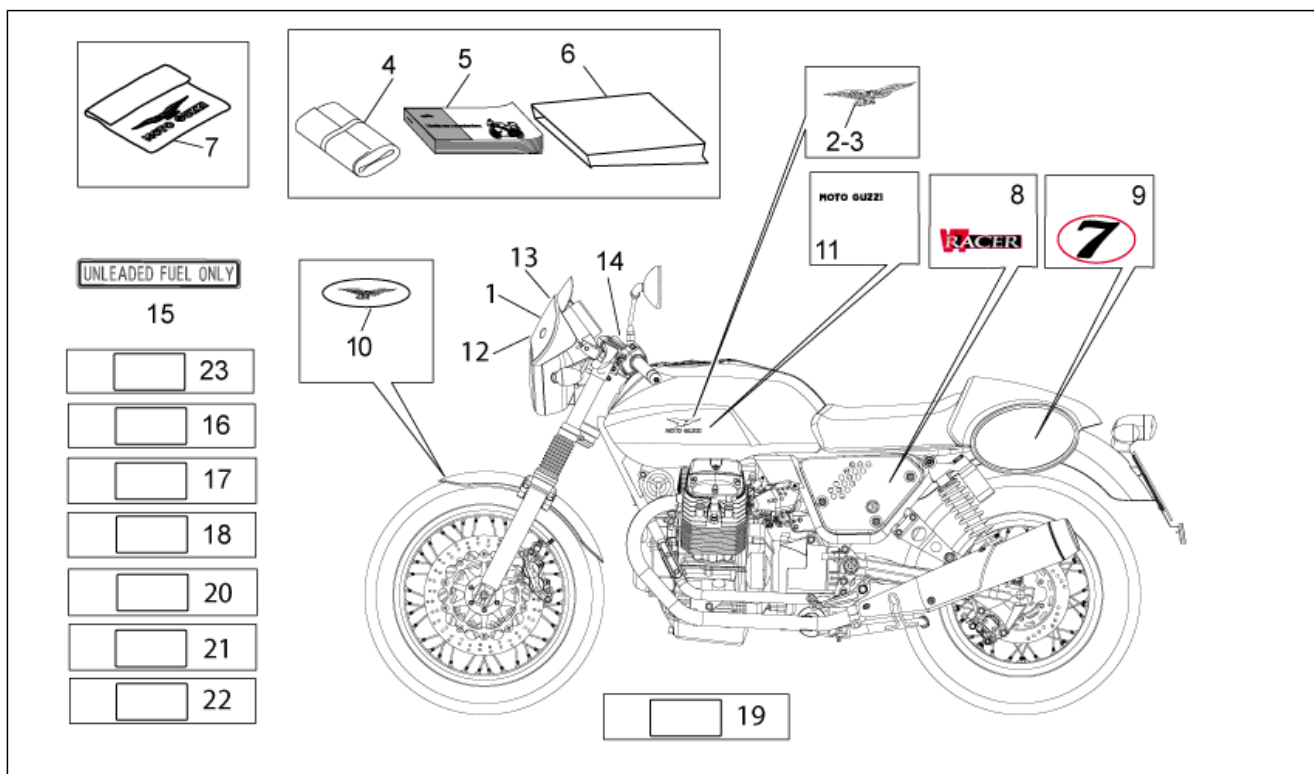
Pos.	Code	Beschrijving	Aant.	Varianten
28	AP8124869	Relais injectie	2	
29	AP8220283	Rubbetje *	2	
30	AP8224462	Relais 12V/30A	1	
31	GU30729330	Sensor luchttemperatuur	1	
32	GU30027931	Pakking	1	
33	AP8150421	Zelftap. bout 2,9x12	2	
34	GU14609650	Klemmetje 3,6x20,6	31	
34	GU49609601	Klemmetje 2,4x92	1	

Groep	FRAME
Code	33.32
Beschrijving	Lock hardware kit
Revisie	1



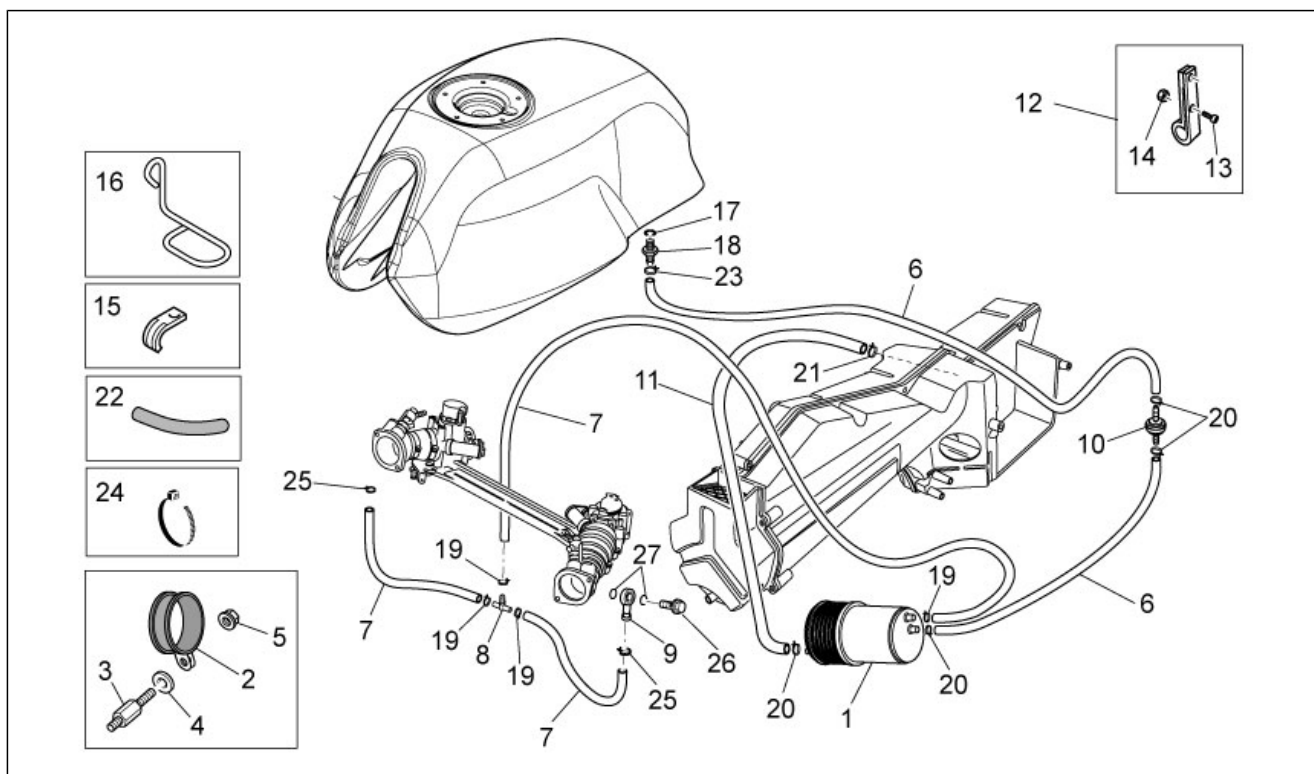
Pos.	Code	Beschrijving	Aant.	Varianten
1	883182	Kit sloten	1	LAND:Australia[AA], europa[EU], Japan[J], Great Britain[UK]
1	883477	Kit sloten	1	LAND:Canadian[CA], USA[USA]
2	GU32782510	Starblokje-blokk.	1	
3	883185	Tankdop	1	LAND:Australia[AA], europa[EU], Japan[J], Great Britain[UK]
3	883476	Tankdop	0	LAND:Canadian[CA], USA[USA]
4	977527	Zadelslot	1	
5	GU32735510	Sleutel glad ruw-dop go	1	
5	GU32735511	Sleutel glad ruw-dop cr	1	
6	AP8150349	Speciale bout M8x15	1	
7	GU98682416	Binnenzeskantbout	1	
8	AP8121420	Vorkveer	1	
9	978415	Plaatje steun kabel	1	

Groep	FRAME
Code	33.33
Beschrijving	Decal and plate set
Revisie	1



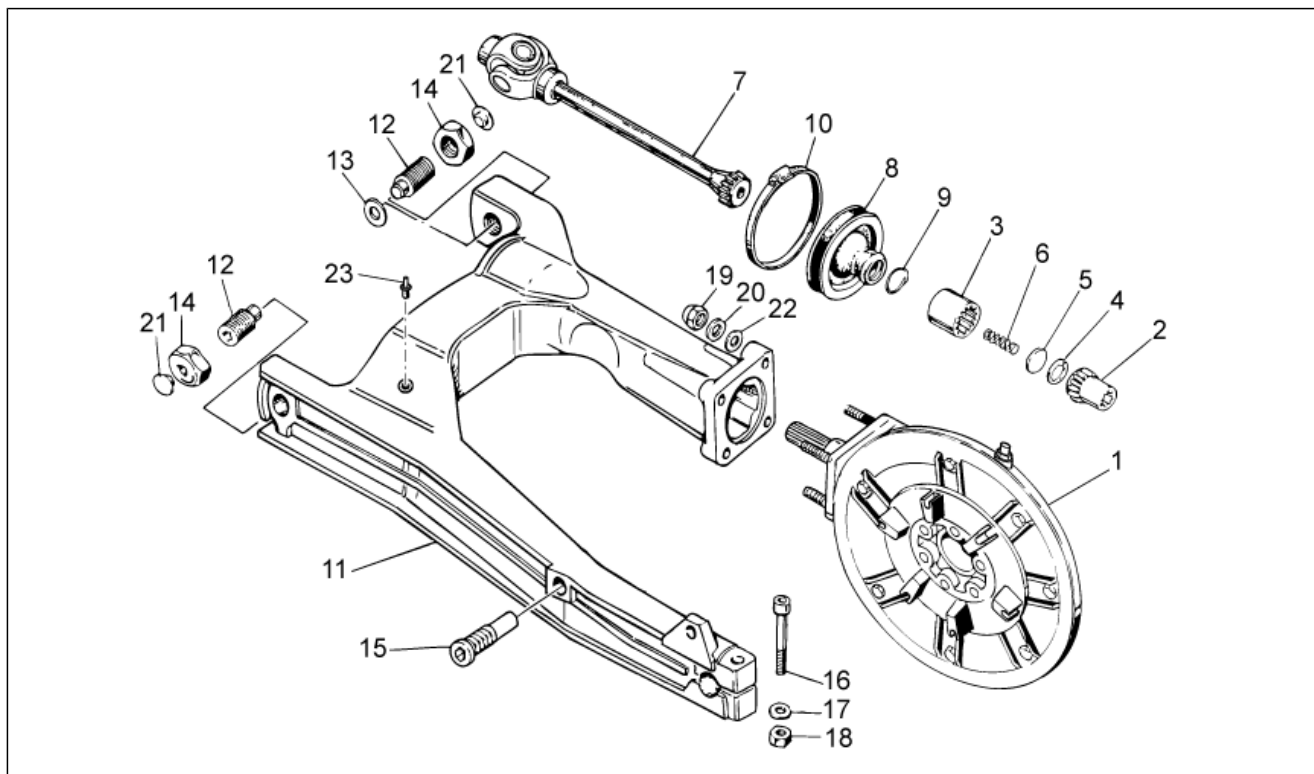
Pos.	Code	Beschrijving	Aant.	Varianten
1	886639	Decalco kapje "7"	1	
2	898174	Decalco re "Aquila"	1	
3	886678	Decalco li "Aquila"	1	
4	GU32909960	Gereedschapstas	2	
5	886709	Boekje gebruik/ond.	1	LAND:Australia[AA], europa[EU], Japan[J], Great Britain[UK]
5	887206	LUM usa-can-	1	LAND:Canadian[CA], USA[USA]
6	GU05900130	Zakje voor documenten	1	
7	GU30970200	Doek voert.bedekk.	1	
8	886643	Plaatjes V7 Racer	2	
9	886640	Dec.eindstuk	2	
10	886141	Plaat "Aquila"	1	
11	886825	Plaat "Moto Guzzi"	1	
12	886638	Decalco schroefdr. rood	1	
13	886637	Decalco schroefdr. rood	1	
14	886644	Plaatjes "RACER"	1	
15	GU03995730	Plaat "Unleaded Fuelonly"	1	LAND:Australia[AA], Canadian[CA], USA[USA]
16	AP8257742	Keys warning decal	1	LAND:Canadian[CA], USA[USA]
17	AP8257794	Battery decal	1	LAND:Canadian[CA], USA[USA]
18	AP8257609	Mirror decal	2	LAND:Canadian[CA], USA[USA]
19	883930	Decalco bandenspanning	1	LAND:Canadian[CA], USA[USA]
20	883911	Decalco geluidsemissie	1	LAND:Canadian[CA], USA[USA]
21	883912	Decalco vervuilende emissie	1	LAND:Canadian[CA], USA[USA]
22	883912	Decalco vervuilende emissie	1	LAND:Canadian[CA], USA[USA]
23	672381	Plaatje ices-002	1	LAND:Canadian[CA]

Groep	FRAME
Code	33.51
Beschrijving	Fuel vapour recover system
Revisie	1



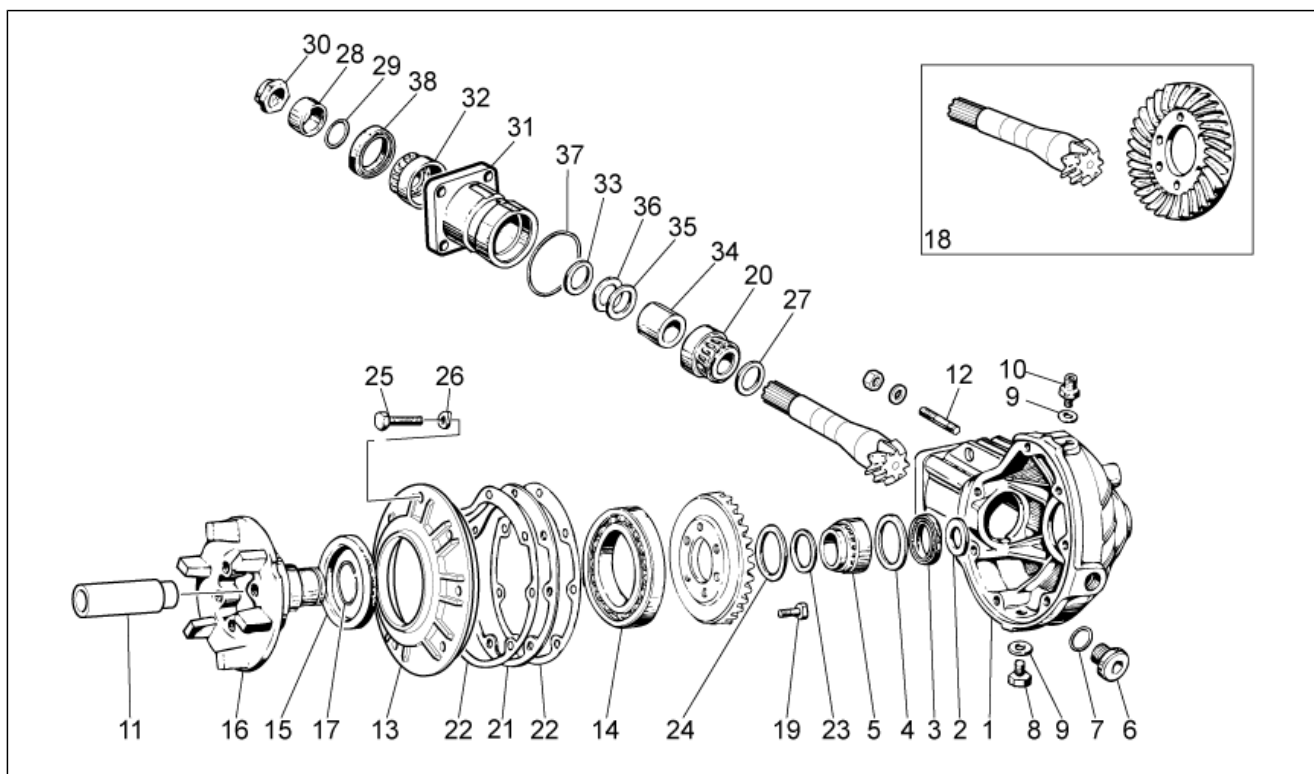
Pos.	Code	Beschrijving	Aant.	Varianten
1	AP8102678	Koolfilter	1	LAND:Canadian[CA], USA[USA]
2	AP8102688	Klemmetje d.76	1	LAND:Canadian[CA], USA[USA]
3	GU32439260	Houder canister USA	1	LAND:Canadian[CA], USA[USA]
4	GU95005311	Sluitring	1	LAND:Canadian[CA], USA[USA]
5	AP8152299	Zelfborg.bout gefl. M6	1	LAND:Canadian[CA], USA[USA]
6	856063	Buis SAE 30 d.12,7x6,35	2	LAND:Canadian[CA], USA[USA]
7	856062	Buis SAE 30 d.11,11x4,8	3	LAND:Canadian[CA], USA[USA]
8	AP8120116	Driewegsverbinding	1	LAND:Canadian[CA], USA[USA]
9	GU95963062	Verbinding	2	LAND:Canadian[CA], USA[USA]
10	860138	Klep	1	LAND:Canadian[CA], USA[USA]
11	856064	Buis SAE 30 d.14,3x7,9	1	LAND:Canadian[CA], USA[USA]
12	GU03658330	Klemmetje	1	LAND:Canadian[CA], USA[USA]
13	GU98257410	Bout	1	LAND:Canadian[CA], USA[USA]
14	GU92630104	Moer M4x0,7	1	LAND:Canadian[CA], USA[USA]
15	GU93301313	Beugel	1	LAND:Canadian[CA], USA[USA]
16	AP8221114	Kabelgeleider	2	LAND:Canadian[CA], USA[USA]
17	AP8120965	OR-ring 2018	1	LAND:Canadian[CA], USA[USA]
18	GU30103730	Verbinding	1	LAND:Canadian[CA], USA[USA]
19	GU29108550	Klikband 11,5x6	6	LAND:Canadian[CA], USA[USA]
20	GU28157950	Klikband 12,5x8	5	LAND:Canadian[CA], USA[USA]
21	AP8102766	Klemmetje	1	LAND:Canadian[CA], USA[USA]
22	GU00823923140	Thermische gaine	4	LAND:Canadian[CA], USA[USA]
23	AP8201358	Klemmetje D 11,9	1	LAND:Canadian[CA], USA[USA]
24	GU14609650	Klemmetje 3,6x20,6	3	LAND:Canadian[CA], USA[USA]
25	AP8102378	Klemmetje D11,3	2	LAND:Canadian[CA], USA[USA]
26	GU95990023	Geperfor. bout	2	LAND:Canadian[CA], USA[USA]
27	GU90706009	OR-ring 6x1	4	LAND:Canadian[CA], USA[USA]

Groep	ENGINE
Code	34.09
Beschrijving	Transmission complete I
Revisie	1



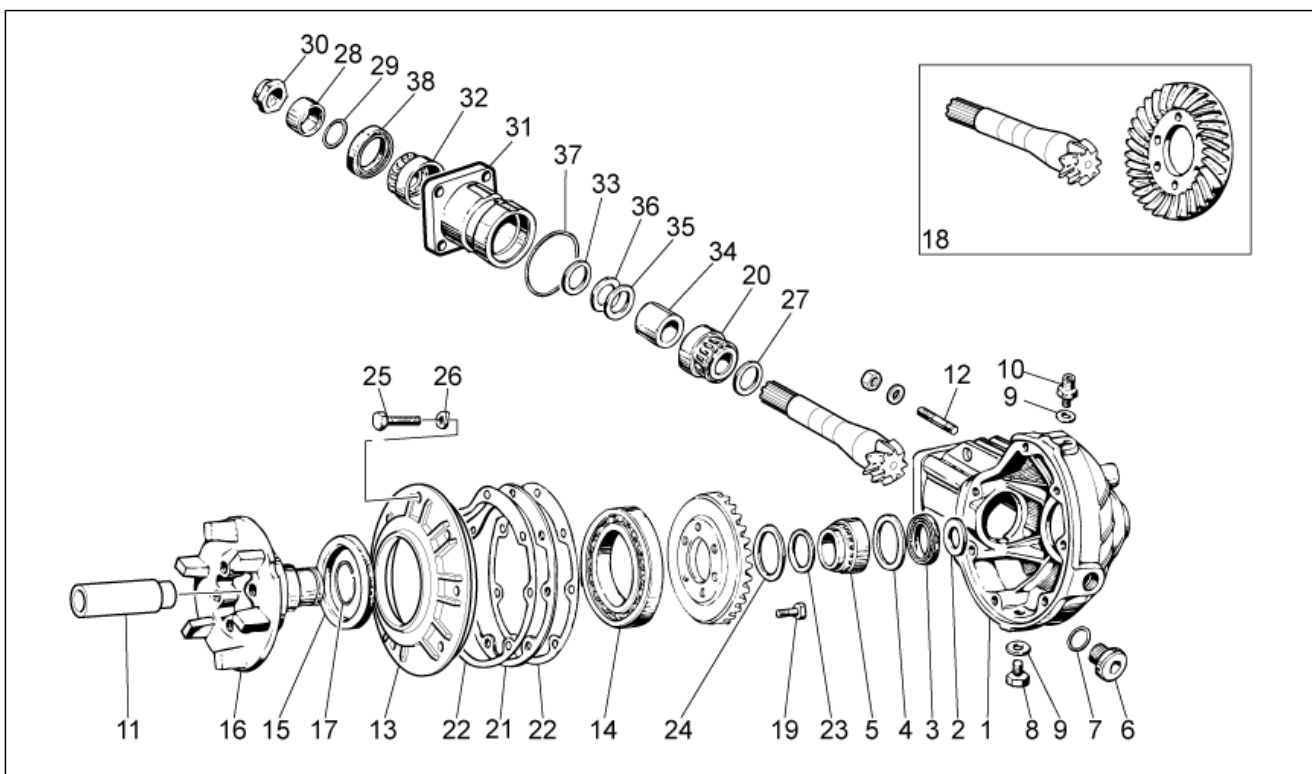
Pos.	Code	Beschrijving	Aant.	Varianten
1	976941	Transmissiedoos cpl. zwart	1	
2	GU31327783	Mof	1	
3	GU19328801	Mof	1	
4	GU90272023	Seegerring	1	
5	GU19327601	Schijf	1	
6	GU94321099	Veer	1	
7	GU23328081	Cardankoppeling	1	
8	GU23548080	Besch.band	1	
9	GU23548180	Veer	1	
10	AP8120246	Klemmetje D=60-80	1	
11	886676	Vork v.rood	1	
12	GU19547000	Pin	2	
13	GU35214300	Dikte	1	
14	GU31547882	Moer	2	
15	GU31544181	Pin	1	
16	GU98680545	Bout M10x45	1	
17	GU95008210	Sluitring 10,2X18X2	1	
18	GU92606210	Moer M10x1,5	1	
19	GU92787008	Moer blind M8x1,25	4	
20	GU14615901	Sluitring 8,4X13X0,8	4	
21	GU93180105	Dop	2	
22	GU95005308	Sluitring 8,4x14,57x1,6	4	
23	GU03922280	Dop 5x9	1	

Groep	ENGINE
Code	34.10
Beschrijving	Transmission complete II
Revisie	1



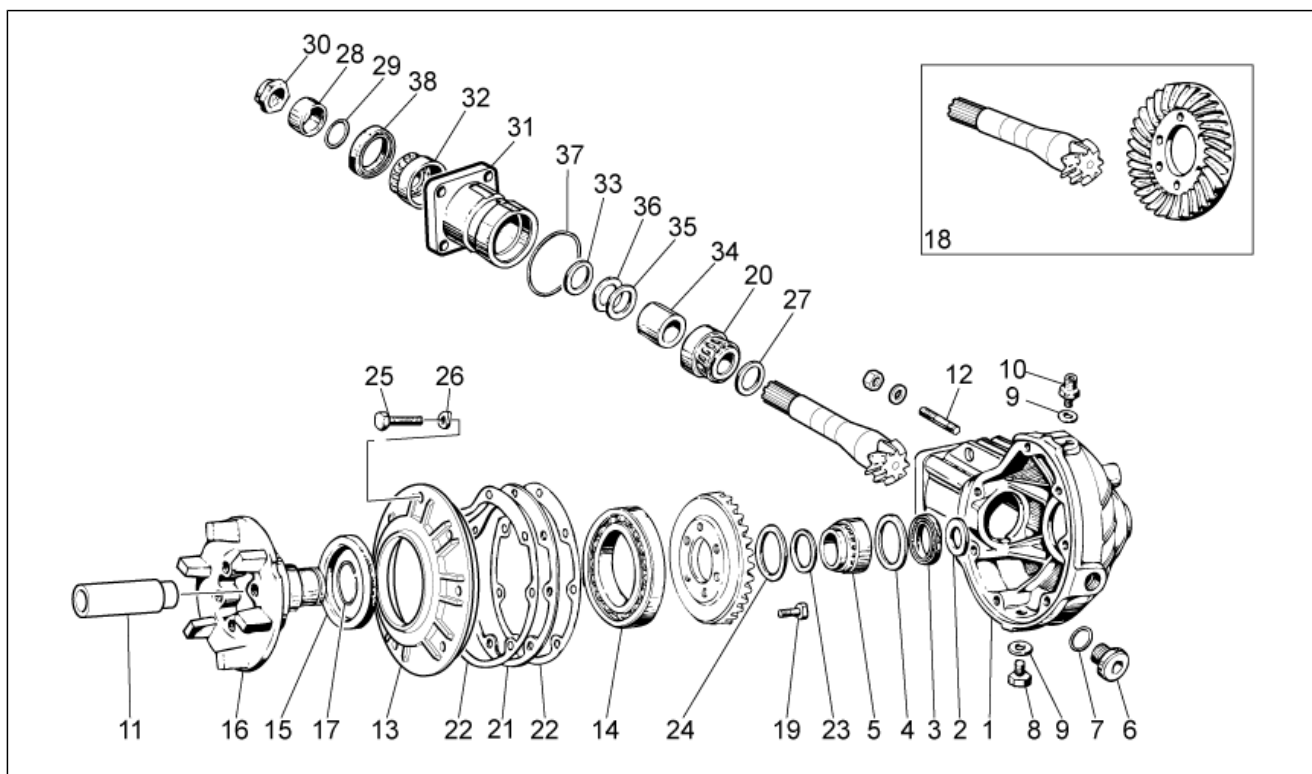
Pos.	Code	Beschrijving	Aant.	Varianten
1	976608	Doos transm. zwart	1	
2	GU19351900	Steunende sluitring	1	
3	GU90403549	Dichtingsring 35x47x7	1	
4	GU19351100	Steunende sluitring	1	
5	GU92252235	Rollager 35x50x17	1	
6	GU12022600	Oliedop	1	
7	GU90706203	OR-ring 20,24X2,62	1	
8	GU31003766	Afvoerdop olie M10x1	1	
9	GU01528930	Pakking 10x18x1,5	2	
10	GU19206501	Dop ontluchting	1	
11	GU32633560	Afstandhouder	1	
12	GU96508055	Stiftbout	4	
13	GU32350410	Bedekking	1	
14	GU92201070	Kogellager 70x110x13	1	
15	GU90407591	Dichtingsring 75x95x10	1	
16	GU32351410	Pin	1	
17	GU90353030	Blokkeerring	1	
18	GU32354610	Conisch koppel 8/33	1	
19	GU03067730	Bout M8x25	6	
20	GU92249227	Conische kogellager 25x5	1	
21	GU19355400	Dikte 0,8 mm	1	
21	GU19355402	Dikte 0,9 mm	1	
21	GU19355404	Dikte 1 mm	1	
21	GU19355406	Dikte 1,1 mm	1	
21	GU19355408	Dikte 1,2 mm	1	
21	GU19355410	Dikte 1,3 mm	1	
21	GU19355411	Dikte 1,4 mm	1	
21	GU19355412	Dikte 1,5 mm	1	

Groep	ENGINE
Code	34.10
Beschrijving	Transmission complete II
Revisie	1



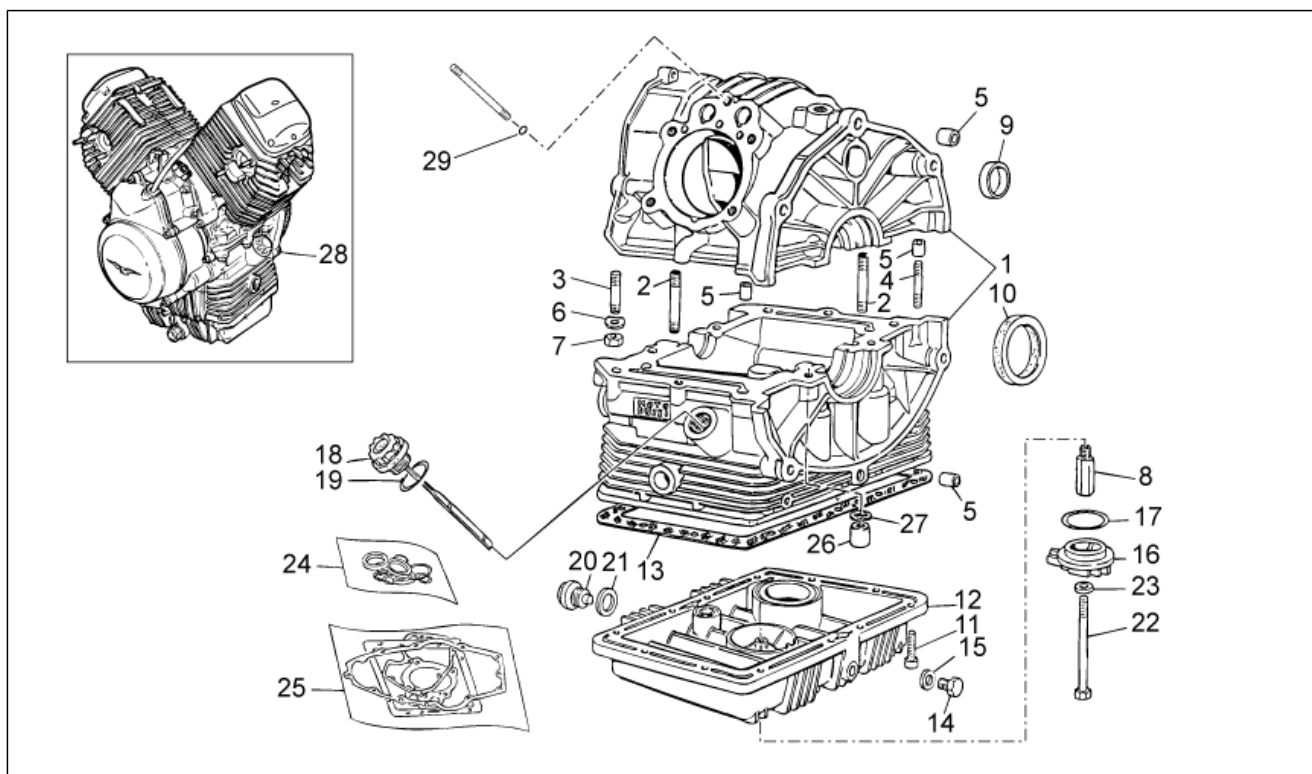
Pos.	Code	Beschrijving	Aant.	Varianten
21	GU19355413	Dikte 1,6 mm	1	
22	GU19350700	Pakking	2	
23	GU19352300	Schraapring	1	
24	GU19353500	Schraapring	1	
25	GU19357660	Bout	7	
26	GU61270300	Elastische sluitring 8x15x0,3	7	
27	GU19355320	Dikte 1 mm	1	
27	GU19355321	Dikte 1,1 mm	1	
27	GU19355322	Dikte 1,2 mm	1	
27	GU19355323	Dikte 1,3 mm	1	
27	GU19355324	Dikte 1,4 mm	1	
27	GU19355325	Dikte 1,5 mm	1	
27	GU19355326	Dikte 1,6 mm	1	
27	GU19355327	Dikte 1,7 mm	1	
27	GU19355328	Dikte 1,8 mm	1	
27	GU19355329	Dikte 1,9 mm	1	
28	GU19356801	Afstandhouder	1	
29	GU90706188	Dichtingsring 18,77X1,78	1	
30	GU19356700	Moer	1	
31	GU20352421	Cover	1	
32	GU92249220	Rollager 20x47x14	1	
33	GU19355300	Dikte 1 mm	1	
33	GU19355301	Dikte 1,1 mm	1	
33	GU19355302	Dikte 1,2 mm	1	
33	GU19355303	Dikte 1,3 mm	1	
33	GU19355304	Dikte 1,4 mm	1	
33	GU19355305	Dikte 1,5 mm	1	
33	GU19355306	Dikte 1,6 mm	1	

Groep	ENGINE
Code	34.10
Beschrijving	Transmission complete II
Revisie	1



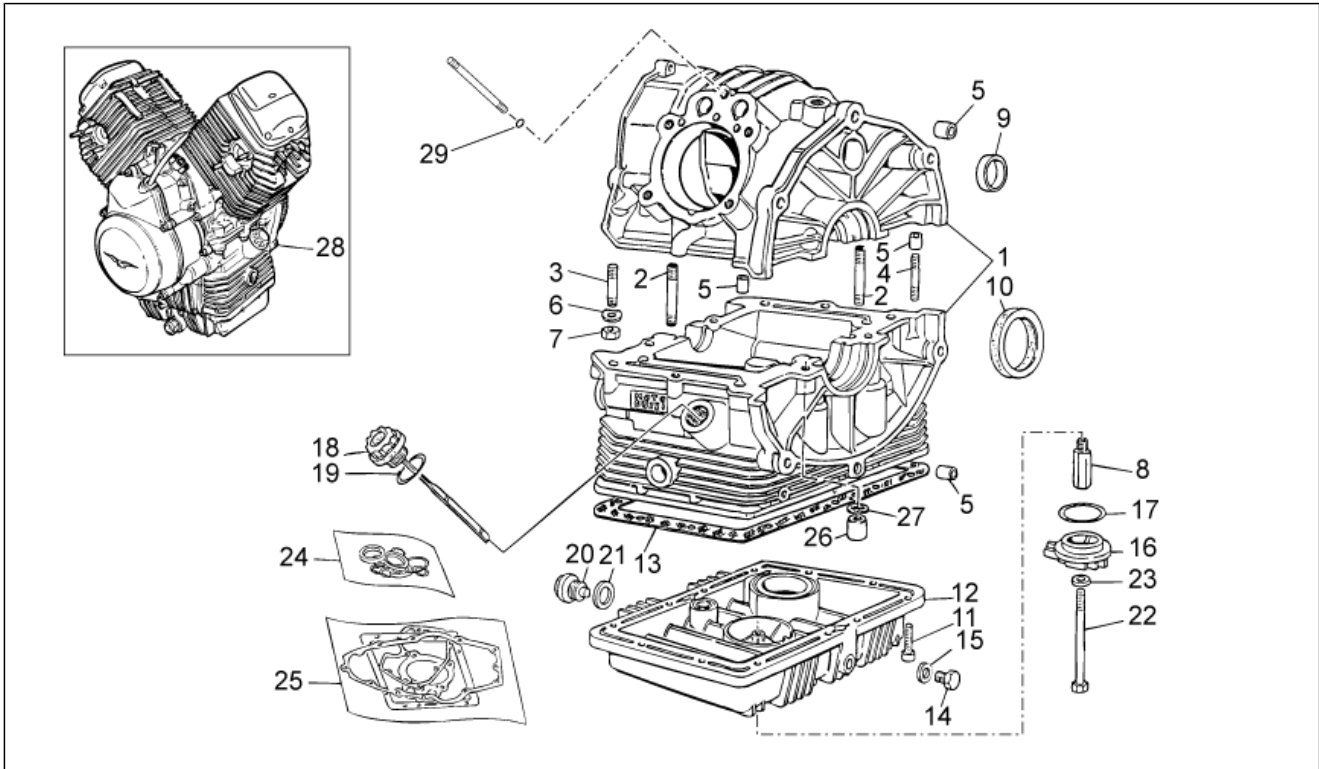
Pos.	Code	Beschrijving	Aant.	Varianten
33	GU19355307	Dikte 1,7 mm	1	
33	GU19355308	Dikte 1,8 mm	1	
33	GU19355309	Dikte 1,9 mm	1	
34	GU20355121	Afstandhouder	1	
35	GU19355200	Sluitring regel. 0,1 mm	1	
36	GU19355202	Sluitring regel. 0,15 mm	1	
37	GU90706584	Pakking 58,42x2,62	1	
38	GU90403251	Dichtingsring 32x47x10	1	

Groep	ENGINE
Code	34.34
Beschrijving	Crank-case
Revisie	1



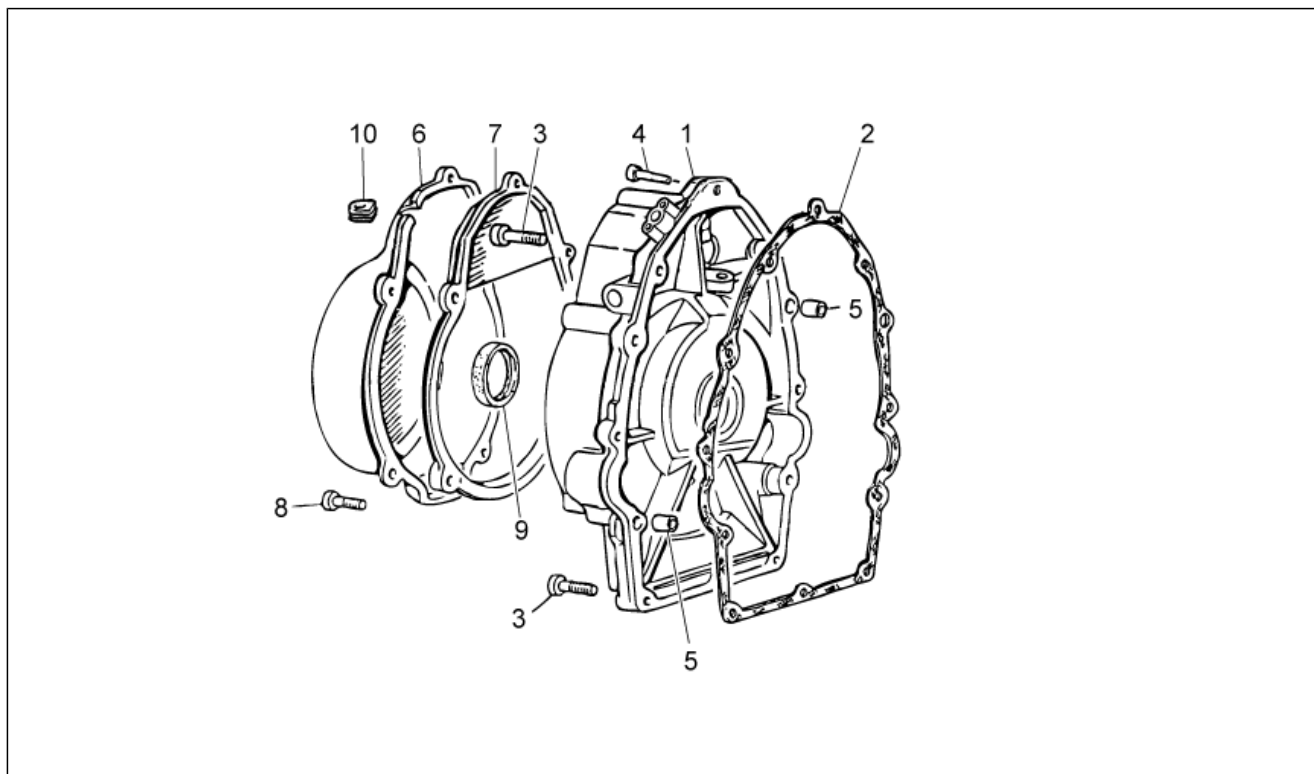
Pos.	Code	Beschrijving	Aant.	Varianten
1	976600	Onderstel motor zwart	1	
2	GU96451560	Stiftbout	4	
3	GU96451430	Stiftbout	4	
4	GU96508055	Stiftbout	2	
5	GU19015020	Beslagring	4	
6	GU61270300	Elastische sluitring 8x15x0,3	6	
7	GU92606208	Moer M8x1,25	6	
8	GU19003800	Verbinding	1	
9	GU19016320	Dop	1	
10	GU04000500	Dichtingsring	1	
11	GU98682325	Binnenzeskantbout M6x25	12	
12	976604	Oliecarter motor grijs	1	
13	GU19003602	Pakking	1	
14	GU31003766	Afvoerdop olie M10x1	1	
15	GU10528900	Pakking in aluminium	1	
16	976685	Bedekking	1	
17	GU90706444	OR-ring	1	
18	GU27004985	Invoerdop olie	1	
19	GU90706281	OR-ring 28,24x2,62	1	
20	GU12003702	Afvoerdop olie	1	
21	GU95100709	Pakking 20,1x28x2	1	
22	GU27152885	Schroefbout	1	
23	GU12154200	Pakking 8,25x15x1	1	
24	GU32999510	Oliekeerringen-serie	1	
25	GU32999010	Pakkingen-serie	1	
26	GU13021900	Kolomv. moer	4	
27	GU95129180	Sluitring 10,5X18X0,8	4	
28	976939	Motor cpl. zonder versn.bak	1	

Groep	ENGINE
Code	34.34
Beschrijving	Crank-case
Revisie	1



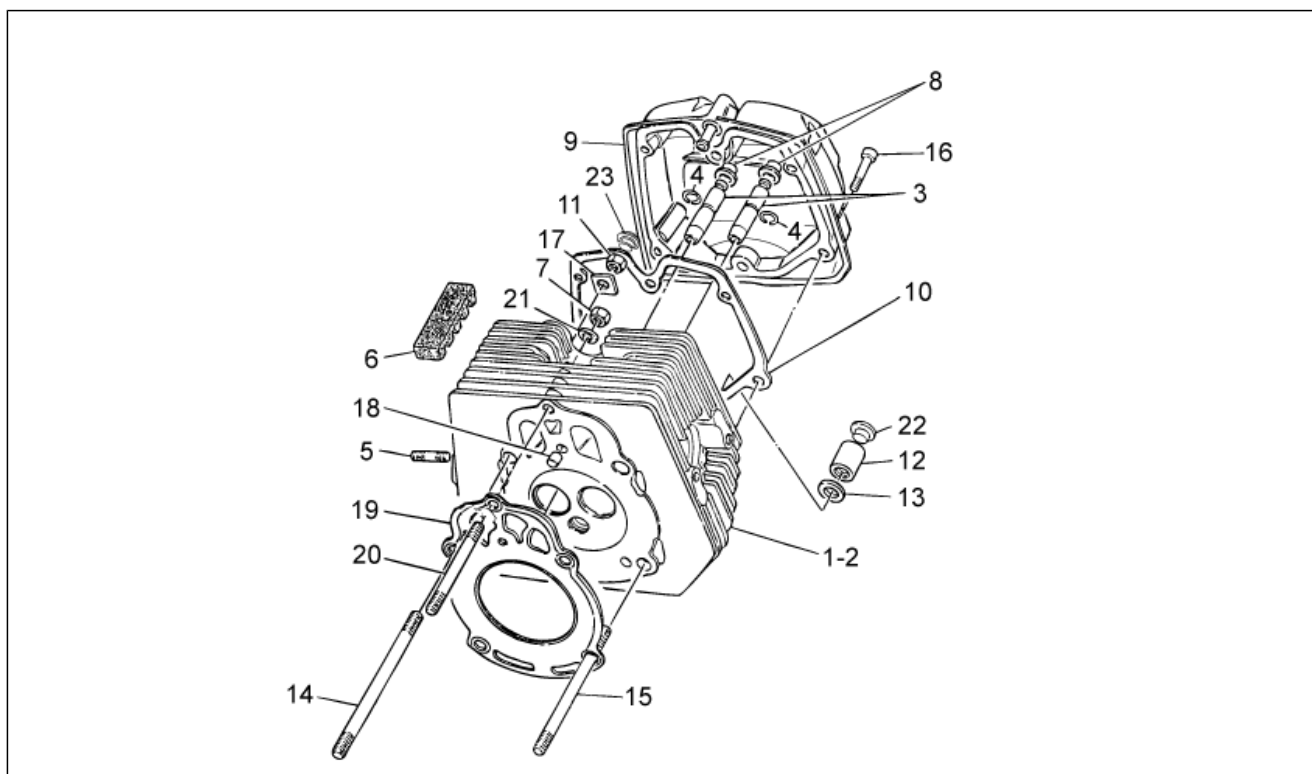
Pos.	Code	Beschrijving	Aant.	Varianten
29	GU90706076	OR-ring	2	

Groep	ENGINE
Code	34.35
Beschrijving	Timing system cover
Revisie	1



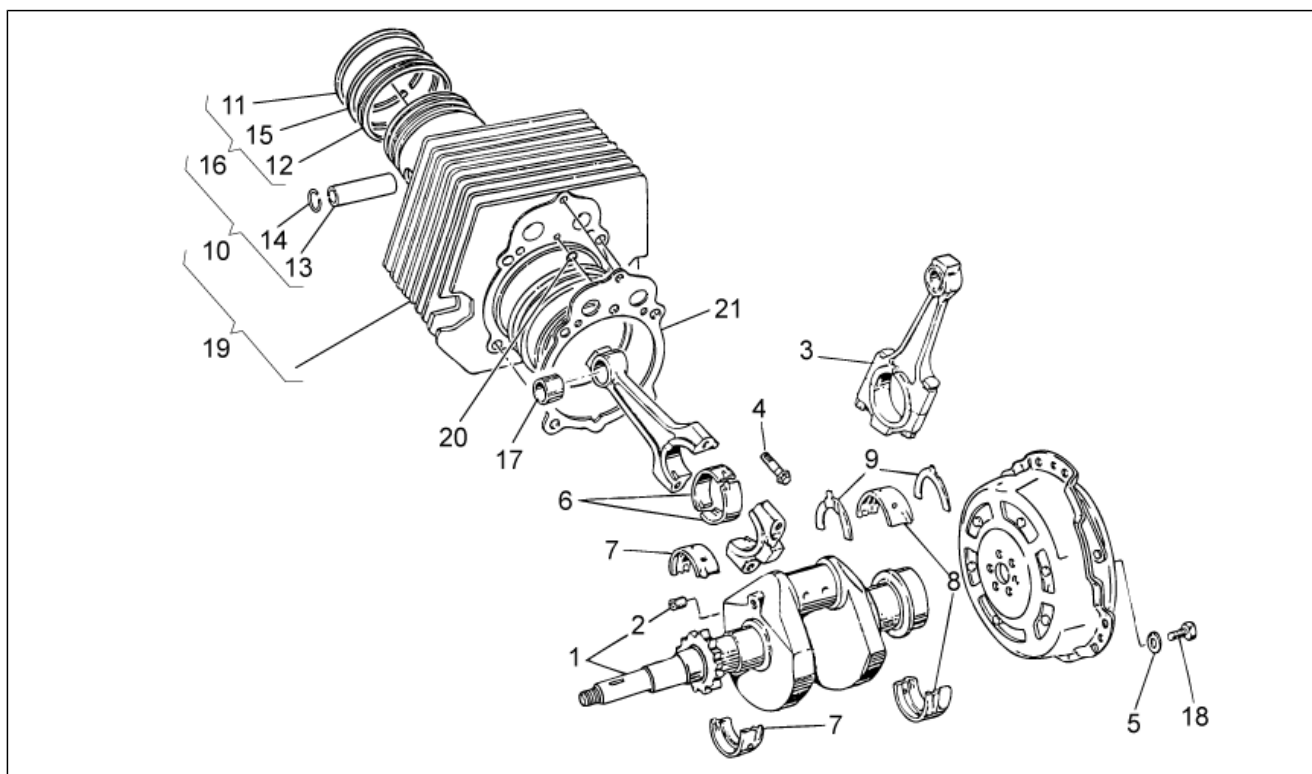
Pos.	Code	Beschrijving	Aant.	Varianten
1	976603	Bedekking distr. zwart	1	
2	GU19001200	Pakking	1	
3	GU98682325	Binnenzeskantbout M6x25	10	
4	GU98680330	Binnenzeskantbout M6x30	2	
5	GU19002020	Beslagring 6,6x9x13	2	
6	GU32001610	Bedekking generator	1	
7	GU27001136	Flens bedekking alternator	1	
8	GU98680335	Binnenzeskantbout M6x35	5	
9	GU90402842	Dichtingsring	1	
10	GU19007700	Rubbetje	1	

Groep	ENGINE
Code	34.36
Beschrijving	Cylinder head
Revisie	1



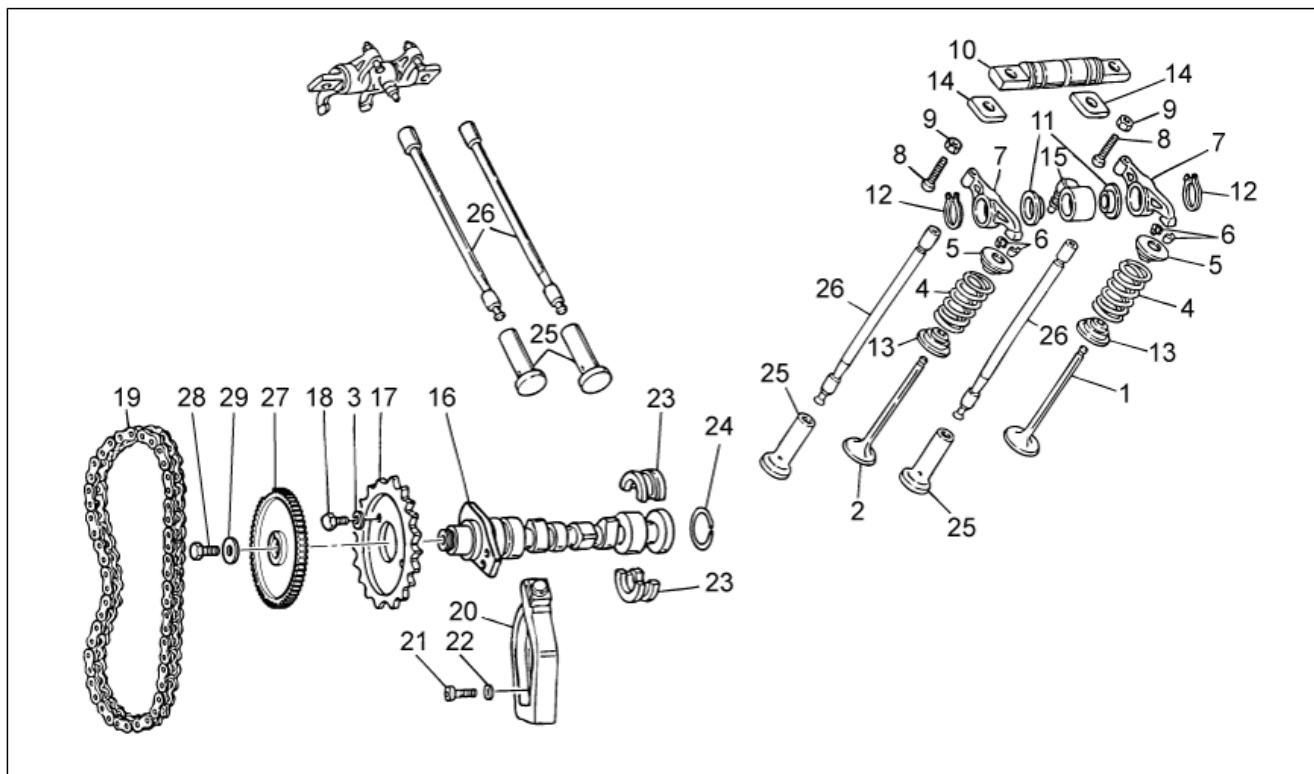
Pos.	Code	Beschrijving	Aant.	Varianten
1	GU32022110	Kop re grijs	1	
2	GU32022210	Kop li grijs	1	
3	GU61036801	Klepgeleider	4	
4	GU90353009	Elastische ring	4	
5	GU96506042	Stiftbout	4	
6	GU19025300	Antitrilplaat	4	
7	GU19021920	Moer	2	
8	GU19037820	Oliekeerring	4	
9	886830	Kopdeksel	2	
10	GU19023700	Pakking	2	
11	GU92603010	Moer M10X1,5	4	
12	GU13021900	Kolomv. moer	4	
13	GU95129180	Sluitring 10,5X18X0,8	4	
14	GU96510214	Stiftbout M10x214	4	
15	GU96510181	Stiftbout M10x182	4	
16	GU98692325	Binnenzeskantbout M6x25	10	
17	GU19032980	Dikte	4	
18	GU19021360	Beslagring	2	
19	GU27022060	Pakking	2	
20	GU96508145	Stiftbout M8x143	2	
21	GU61270300	Elastische sluitring 8x15x0,3	2	
22	GU93180245	Dop	4	
23	AP8144071	Rubbertje uitlaat	1	

Groep	ENGINE
Code	34.37
Beschrijving	Crankshaft cpl.
Revisie	1



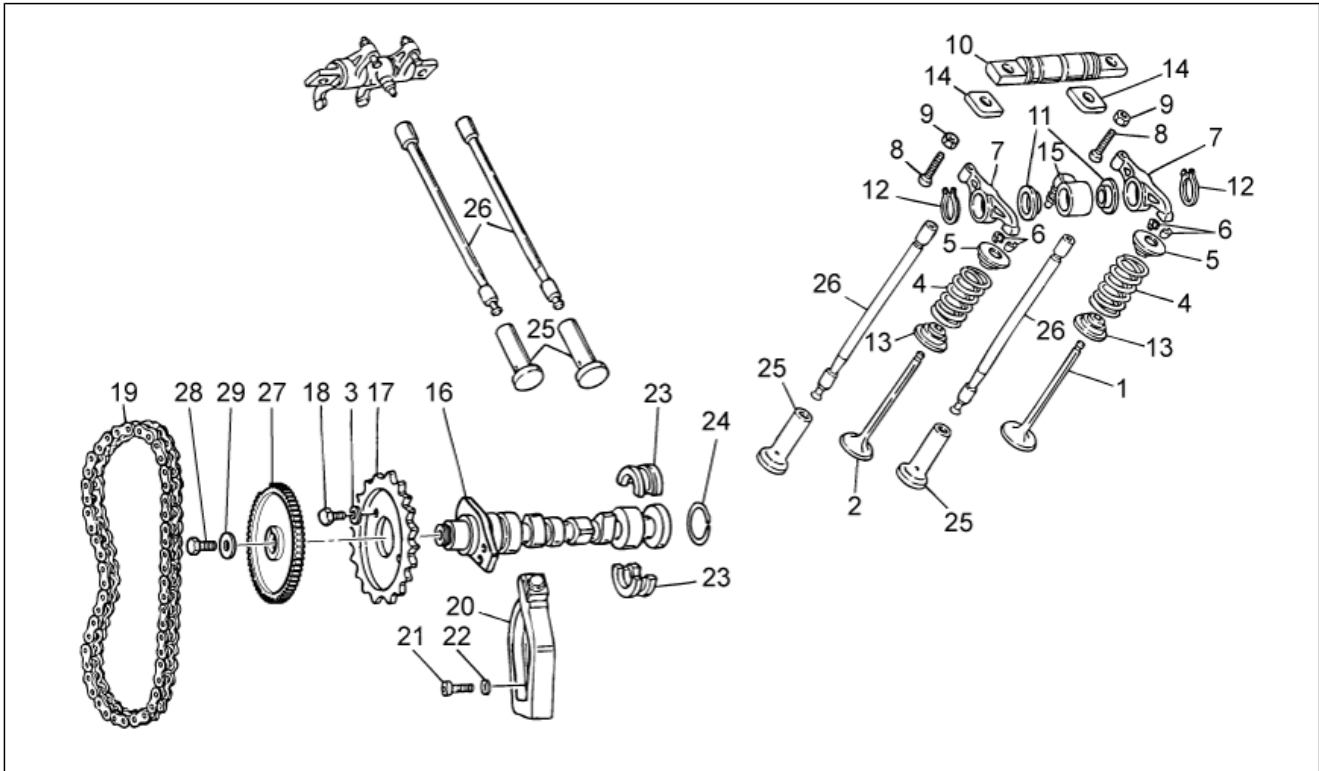
Pos.	Code	Beschrijving	Aant.	Varianten
1	GU32064110	Drijfjas cpl.	1	
2	GU19065400	Dop	1	
3	GU27061585	Drijfstang cpl.	2	
4	GU19062261	Bout	4	
5	GU14615901	Sluitring 8,4X13X0,8	6	
6	GU27062060	Halfdop kussenblok	4	
7	GU27065660	Halfdop kussenblok voor	2	
8	GU27066560	Halfdop kussenblok acht.	2	
9	GU27066460	Halfsluitring	2	
10	GU32060210	Zuiger cpl.	2	
11	GU32060710	Holle elastische band 1e	2	
12	GU19061063	Band olieschraap	2	
13	GU27061286	Zuigerpen	2	
14	GU27061385	Blokkeerring	4	
15	GU27060860	Holle elastische band 2e	2	
16	GU32060610	Kit elastische banden	2	
17	GU27061885	Beslagring	2	
18	GU19067700	Bout	6	
19	GU32060110	Cilinder met zuiger grijs	2	
20	GU61027200	OR-ring	2	
21	GU27020820	Pakking	2	

Groep	ENGINE
Code	34.38
Beschrijving	Timing system
Revisie	1



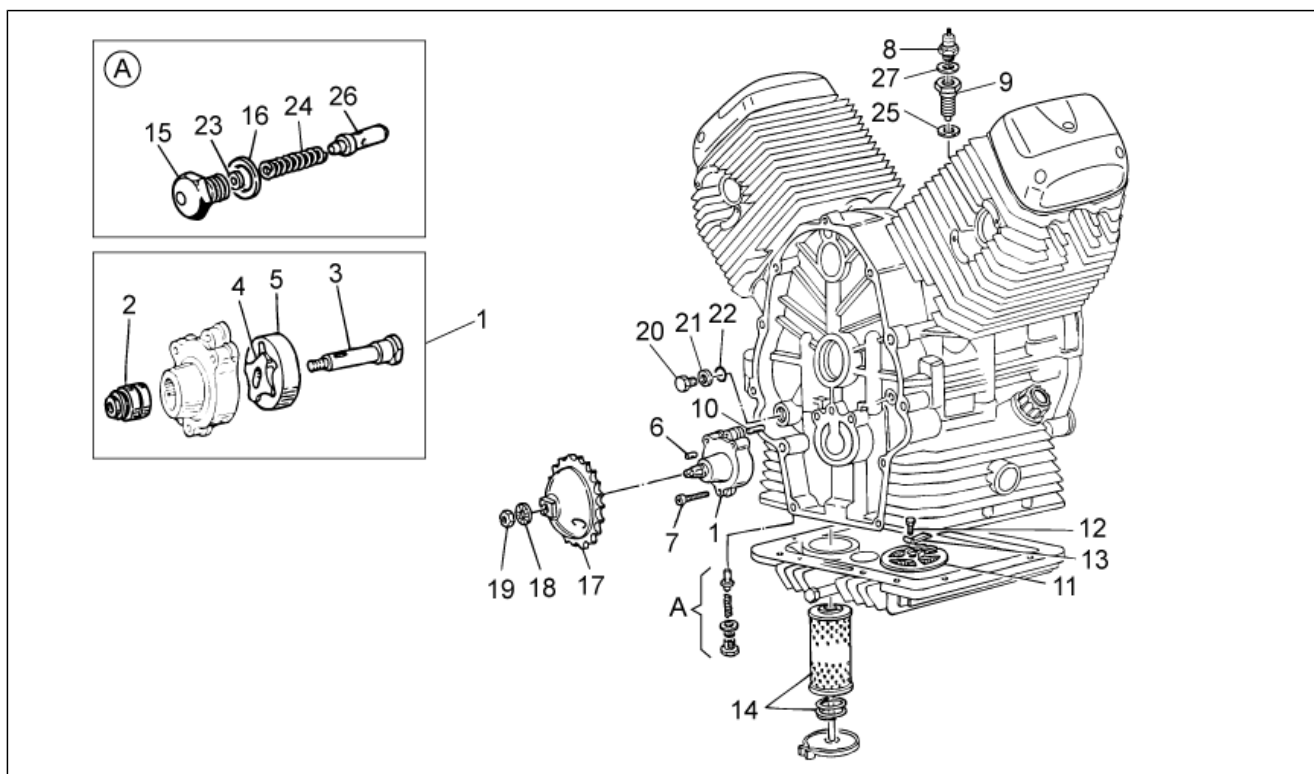
Pos.	Code	Beschrijving	Aant.	Varianten
1	GU20036020	Klep aanz.	2	
2	GU20036120	Klep uitl.	2	
3	GU23217800	Sluitring veiligheid	2	
4	GU27037521	Veer	4	
5	GU31038015	Schijf bov.	4	
6	GU61038100	Halfconus	8	
7	GU19030500	Balanceringen	4	
8	GU19034000	Bout	4	
9	GU92602406	Moer M6x1	4	
10	GU19032080	Pin balancering	2	
11	GU32032310	Schraapring	4	
12	GU90271018	Seegerring	4	
13	GU31037015	Schijf ond.	4	
14	GU19032980	Dikte	4	
15	GU19027500	Mof	2	
16	GU32053410	Nokkenas	1	
17	GU32054510	Raderw.distrib.	1	
18	GU61054900	Schroefbout	2	
19	GU19058021	Distributieketting	1	
20	GU19058220	Kettingspanner distr.	1	
21	GU98882316	Bout	1	
22	GU95129115	Sluitring	1	
23	GU19055700	Sector blokk.	2	
24	GU90353029	Elastische ring	1	
25	GU19045861	Kleplicht.	4	
26	GU31045015	Staafl balanceringen	4	
27	GU32051710	Geluidswiel	1	
28	GU98054422	Bout M8x22	1	

Groep	ENGINE
Code	34.38
Beschrijving	Timing system
Revisie	1



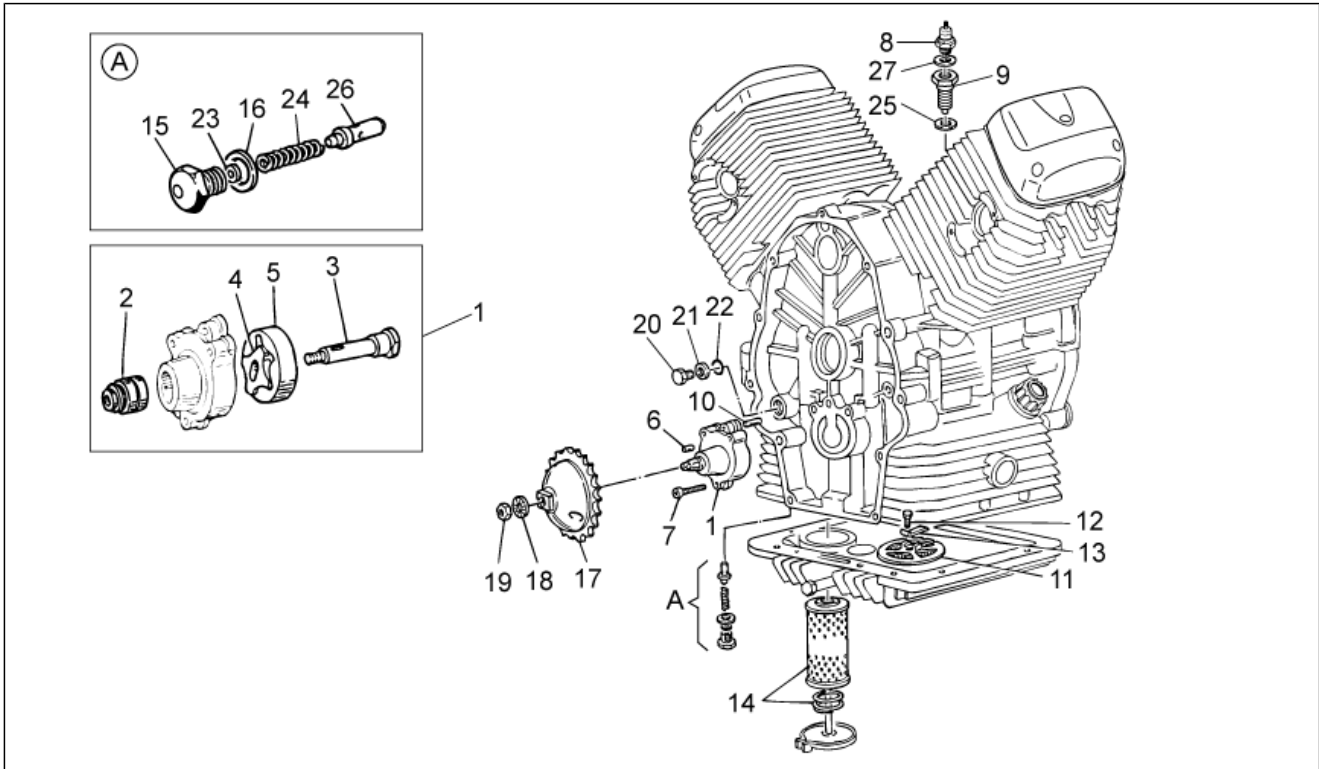
Pos.	Code	Beschrijving	Aant.	Varianten
29	GU95100244	Sluitring	1	

Groep	ENGINE
Code	34.39
Beschrijving	Oil pump
Revisie	1



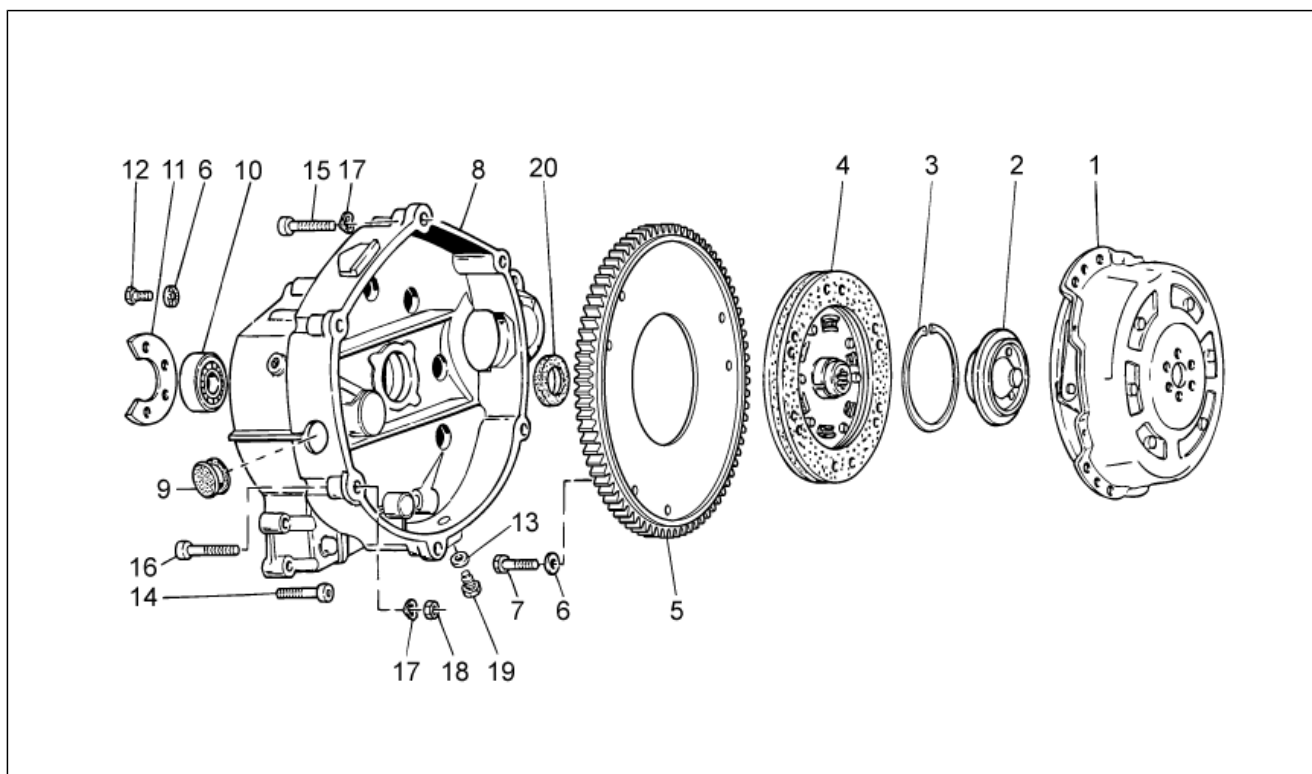
Pos.	Code	Beschrijving	Aant.	Varianten
1	GU19146422	Oliepomp	1	
2	GU92252210	Rollager 10x22x20	1	
3	GU20147810	As oliepom	1	
4	GU20148410	Rotor int.	1	
5	GU20148610	Rotor ext.	1	
6	GU92296723	Rol	1	
7	GU98620335	Bout M6x35	3	
8	641541	Oil pressure sensor	1	
8	GU32768710	Sensor oliedruk	1	
9	887093	Verbinding zender	1	
9	GU32768810	Verbinding zender	1	
10	GU19018920	Plug	2	
11	GU19152200	Oliefilter	1	
12	GU98084314	Zeskantbout	1	
13	GU95187006	Plaatje	1	
14	GU27153085	Oliefilter	1	
15	GU31159050	Dop	1	
16	GU18144350	Sluitring 18,25x24x1	3	
17	GU20147710	Raderw.pomp	1	
18	GU19149800	Sluitring 10,5x16x1	1	
19	GU92602510	Moer M10x1,25	1	
20	GU31016050	Dop	1	
21	GU18161150	Pakking in aluminium 14,25	1	
22	GU90706111	OR-ring	1	
23	GU95008206	Sluitring 6,15x11x0,8	3	
24	GU94321079	Veer	1	
25	GU95100602	Pakking	1	
26	GU31159050	Zuigertje	1	

Groep	ENGINE
Code	34.39
Beschrijving	Oil pump
Revisie	1



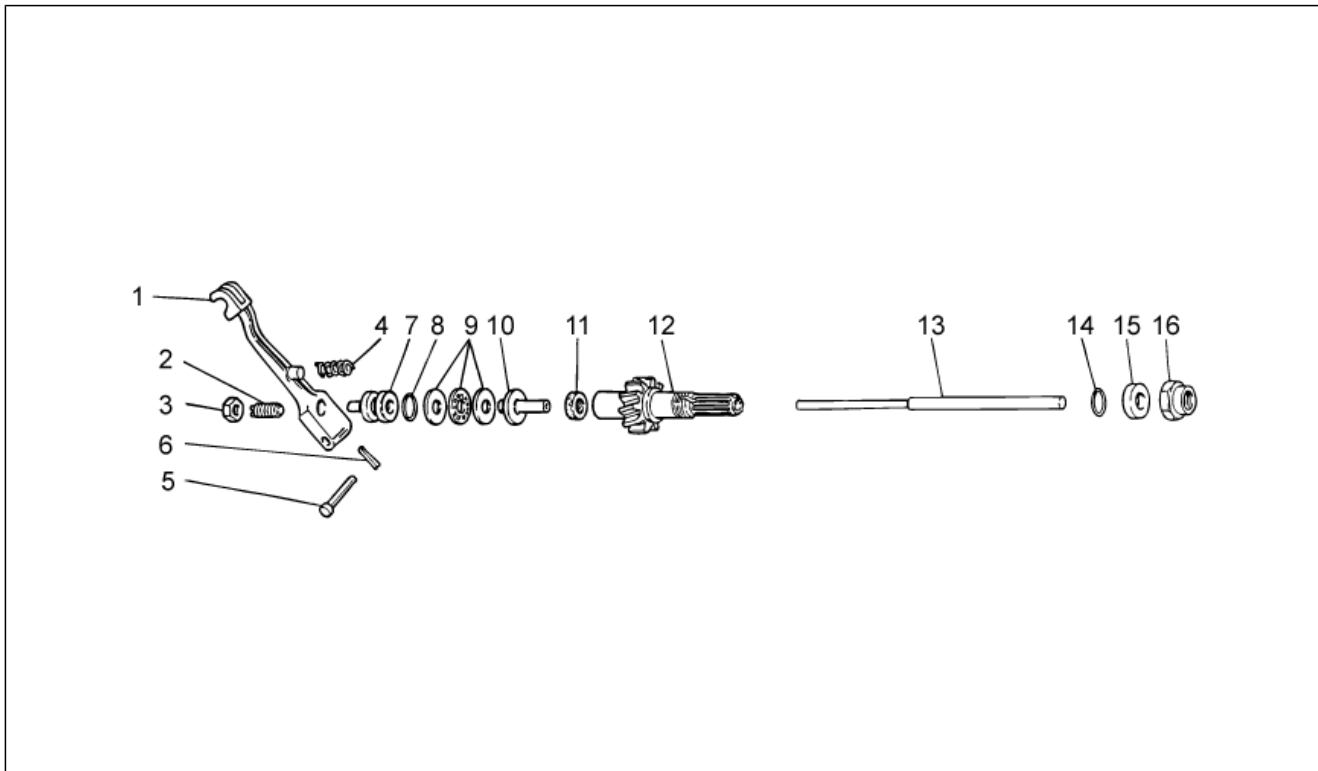
Pos.	Code	Beschrijving	Aant.	Varianten
27	GU95100309	Sluitring	1	

Groep	ENGINE
Code	34.40
Beschrijving	Clutch I
Revisie	1



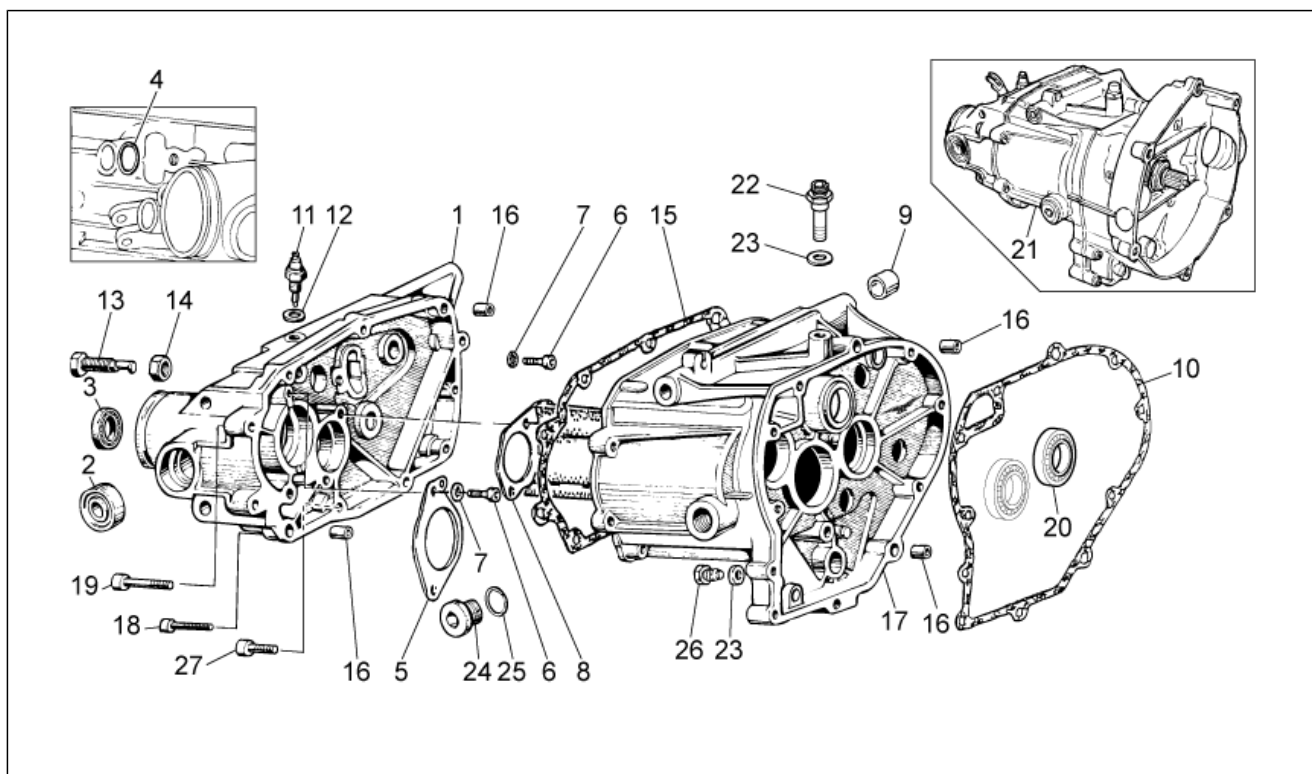
Pos.	Code	Beschrijving	Aant.	Varianten
1	GU32080310	Koppeling	1	
2	GU19083462	Plaatje koppeling	1	
3	GU90272075	Elastische ring	1	
4	GU32084410	Schijf koppeling geleid	1	
5	GU32067910	Kroon	1	
6	GU14217901	Gekart. sluitring 6,4x10x0,7	9	
7	GU98084316	Zeskantbout	6	
8	981070	Koppelingsblok	1	
9	GU93180220	Dop	1	
10	GU92201225	Lager 25x52x15	1	
11	GU19203460	Bevestigingsplaat lager	1	
12	GU98084314	Zeskantbout	3	
13	GU10528900	Pakking in aluminium	1	
14	GU98682330	Binnenzeskantbout	5	
15	GU98680435	Binnenzeskantbout M8x35	1	
16	GU98680450	Binnenzeskantbout M8x50	1	
17	GU61270300	Elastische sluitring 8x15x0,3	6	
18	GU92606208	Moer M8x1,25	1	
19	GU31003766	Afvoerdop olie M10x1	1	
20	GU90403246	Dichtingsring 32x45x7	1	

Groep	ENGINE
Code	34.41
Beschrijving	Clutch II
Revisie	1



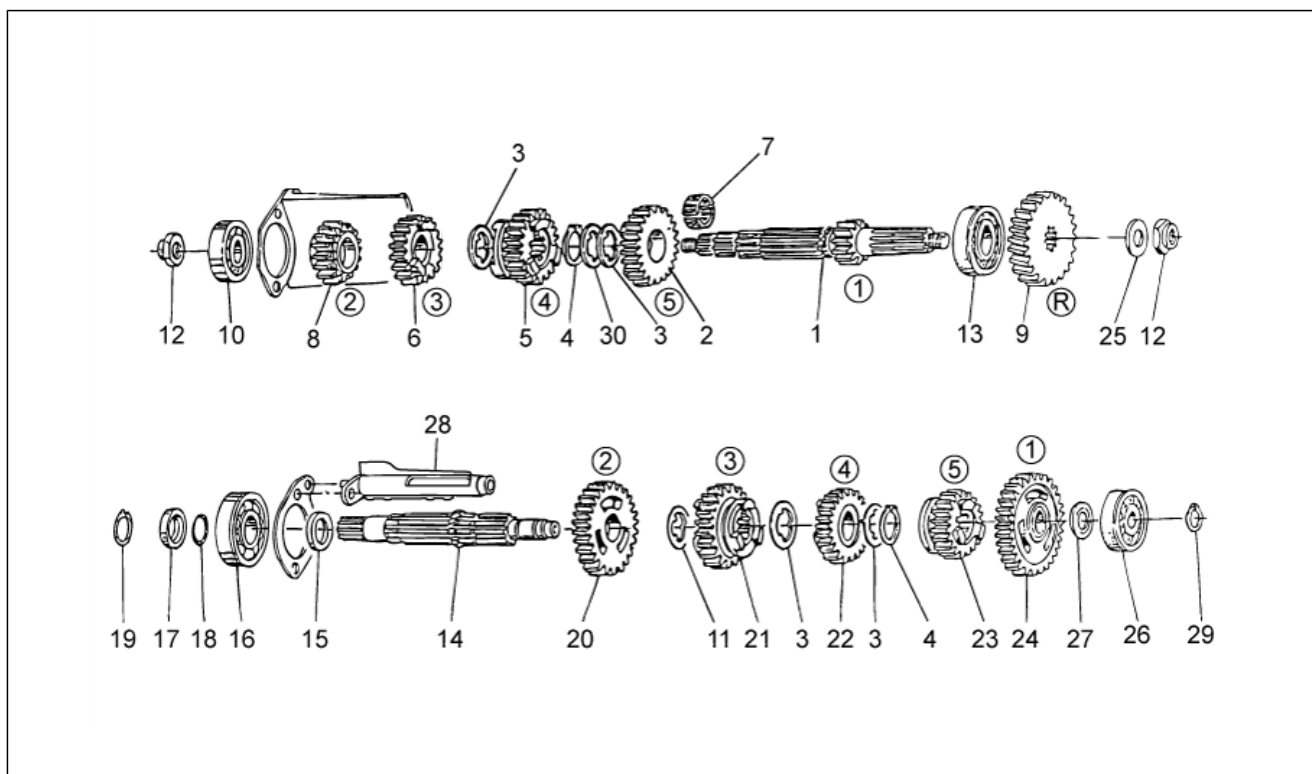
Pos.	Code	Beschrijving	Aant.	Varianten
1	GU14090201	Ontkoppelingshendel koppeling	1	
2	GU14090400	Registerbout	1	
3	GU92606508	Moer	1	
4	GU94321105	Trekveer hendel	1	
5	GU95780271	Plug 7x39	1	
6	GU95500222	Splitpen	1	
7	GU14086100	Externe romnp	1	
8	GU90706170	O-ring 17,13x2,62	1	
9	GU12087001	Lager drukst.	1	
10	GU14086000	Tussenromp	1	
11	GU90400616	Dichtingsring 6x16x7	1	
12	GU27210760	Overbrengingsas Z=16	1	
13	GU20085720	Staaft schijfduwer	1	
14	GU90706235	O-ring 23,52x1,78	1	
15	GU19213760	Afstandhouder	1	
16	GU19356760	Veiligheidsmoer	1	

Groep	ENGINE
Code	34.42
Beschrijving	Transmission cage
Revisie	1



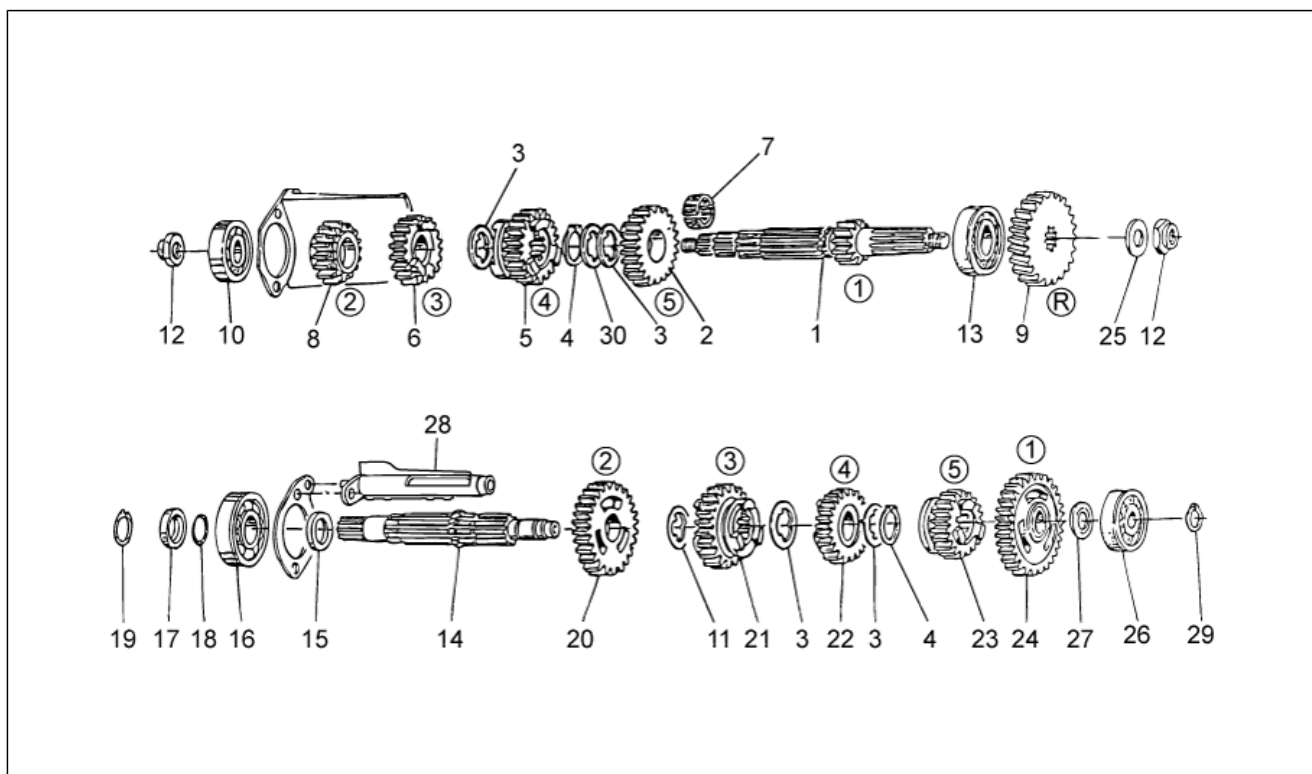
Pos.	Code	Beschrijving	Aant.	Varianten
1	976605	Bedekking vesnellingsbak	1	
2	GU92204215	Lager 15x35x11	2	
3	GU90402841	Dichtingsring 28x40x7	1	
4	GU90706140	O-ring 13,95x2,92	1	
5	GU32213810	Bevest.plaat secund. as	1	
6	GU98682314	Binnenzeskantbout M6x14	4	
7	GU14217901	Gekart. sluitring 6,4x10x0,7	4	
8	GU32208210	Wand olie	1	
9	GU19202320	Beslagring 10,25x15,7x8	2	
10	GU23200370	Pakking	1	
11	GU19207220	Sensor vrij	1	
12	GU12154200	Pakking 8,25x15x1	1	
13	GU19237800	Bout met excentriek M12x1,25	1	
14	GU92606512	Moer laag M12x1,25	1	
15	GU19201120	Pakking	1	
16	GU19002020	Beslagring 6,6x9x13	4	
17	976606	Doos versn.bak zwart	1	
18	GU98682330	Binnenzeskantbout	5	
19	GU98680435	Binnenzeskantbout M8x35	4	
20	GU92201120	Kogellager 20x42x12	1	
21	976940	Versn.bak cpl.m/o blok	1	
22	GU32206510	Dop ontluchting	1	
23	GU10528900	Pakking in aluminium	2	
24	GU12022600	Oliedop	1	
25	GU90706203	OR-ring 20,24X2,62	1	
26	GU31003766	Afvoerdop olie M10x1	1	
27	GU98680335	Binnenzeskantbout M6x35	2	

Groep	ENGINE
Code	34.43
Beschrijving	Gear box
Revisie	1



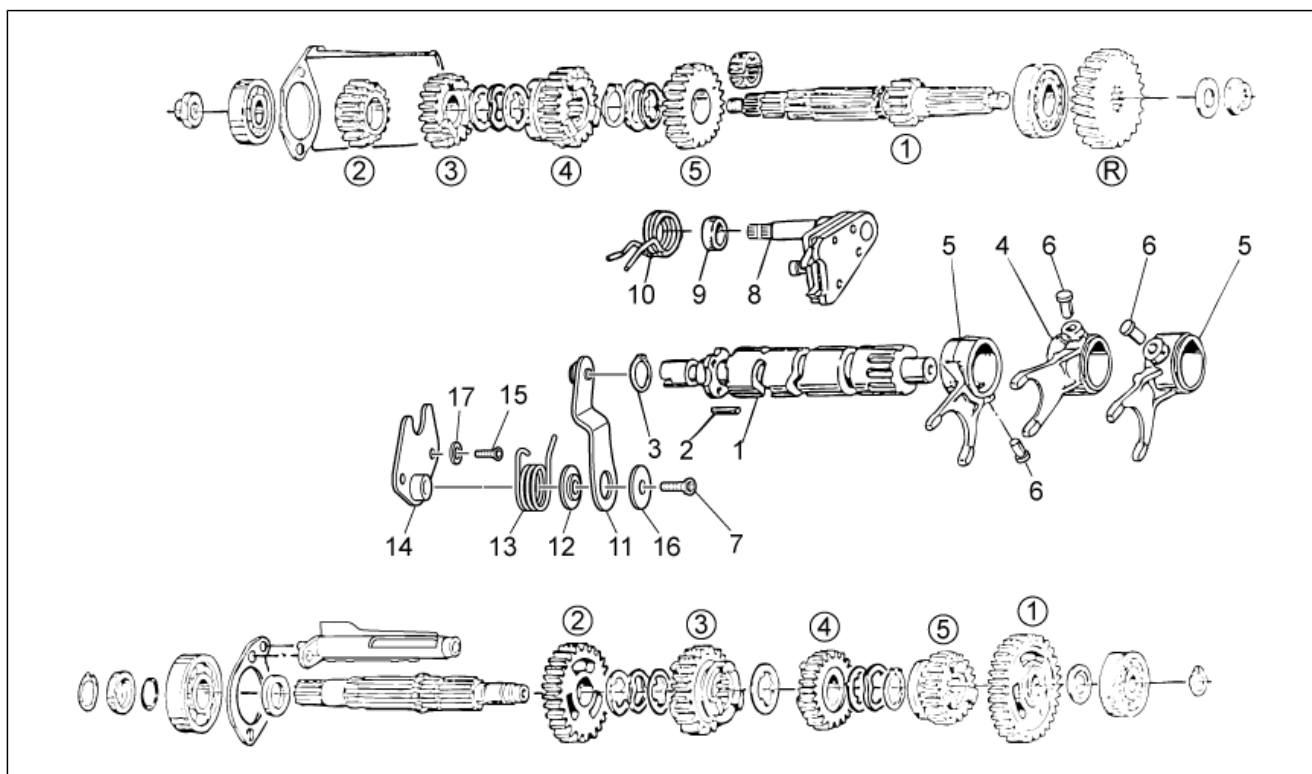
Pos.	Code	Beschrijving	Aant.	Varianten
1	GU32210510	Primaire as Z=11	1	
2	GU32212011	Raderwerk 5a AP Z=25	1	
3	GU19215460	Schraapring	3	
4	GU90271124	Seegerring	2	
5	GU32211810	Raderwerk 4a AP Z=18	1	
6	GU32211410	Raderwerk 3a AP Z=18	1	
7	GU92251028	Rollenkooi	1	
8	GU23211372	Raderwerk 2a AP Z=14	1	
9	GU32211110	Raderw. overbrenging AP Z=21	1	
10	GU92218417	Lager AP 17x40x17,5	1	
11	GU19214660	Steunende sluitring	2	
12	GU10054100	Veiligheidsmoer	2	
13	GU92230320	Lager AP 20x37x17	1	
14	GU32213610	Secundaire as	1	
15	GU19212900	Afstandhouder	1	
16	GU92201220	Lager 20X47X14	1	
17	GU19213720	Afstandhouder	1	
18	GU90706188	Dichtingsring 18,77X1,78	1	
19	GU90271121	Seegerring	1	
20	GU32214510	Raderwerk 2a AS Z=23	1	
21	GU32214810	Raderwerk 3a AS Z=23	1	
22	GU32215010	Raderwerk 4a AS Z=19	1	
23	GU32215210	Raderwerk 5a AS Z=22	1	
24	GU32214010	Raderwerk 1a AS Z=26	1	
25	GU39238100	Steunende sluitring	1	
26	GU92234716	Lager	1	
27	GU10214300	Dikte 1,5 mm	1	
27	GU10214301	Dikte 1,7 mm	1	

Groep	ENGINE
Code	34.43
Beschrijving	Gear box
Revisie	1



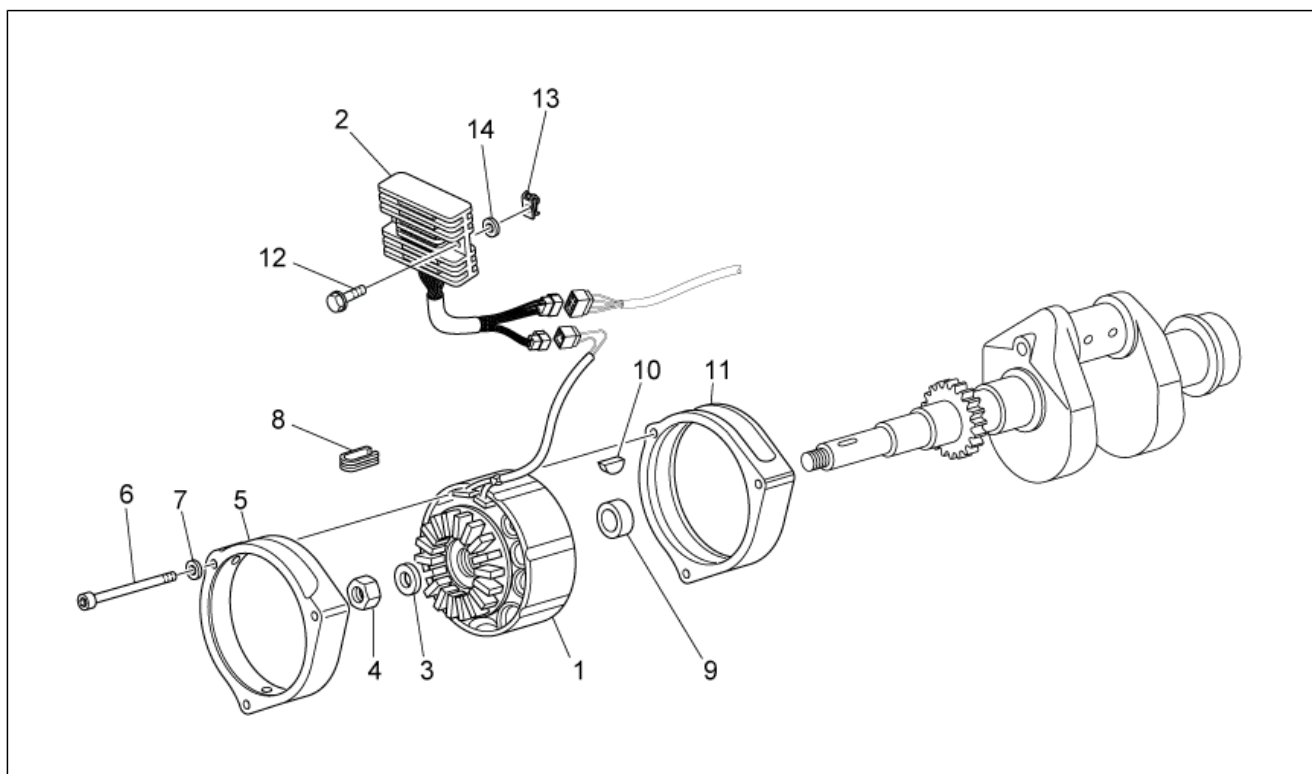
Pos.	Code	Beschrijving	Aant.	Varianten
27	GU10214302	Dikte 1,8 mm	1	
27	GU10214303	Dikte 1,9 mm	1	
27	GU10214304	Sluitring 2 mm	1	
27	GU10214305	Dikte 2,1 mm	1	
28	GU32202010	Druiper	1	
29	GU90271117	Seegerring	1	

Groep	ENGINE
Code	34.44
Beschrijving	Gear box selector
Revisie	1



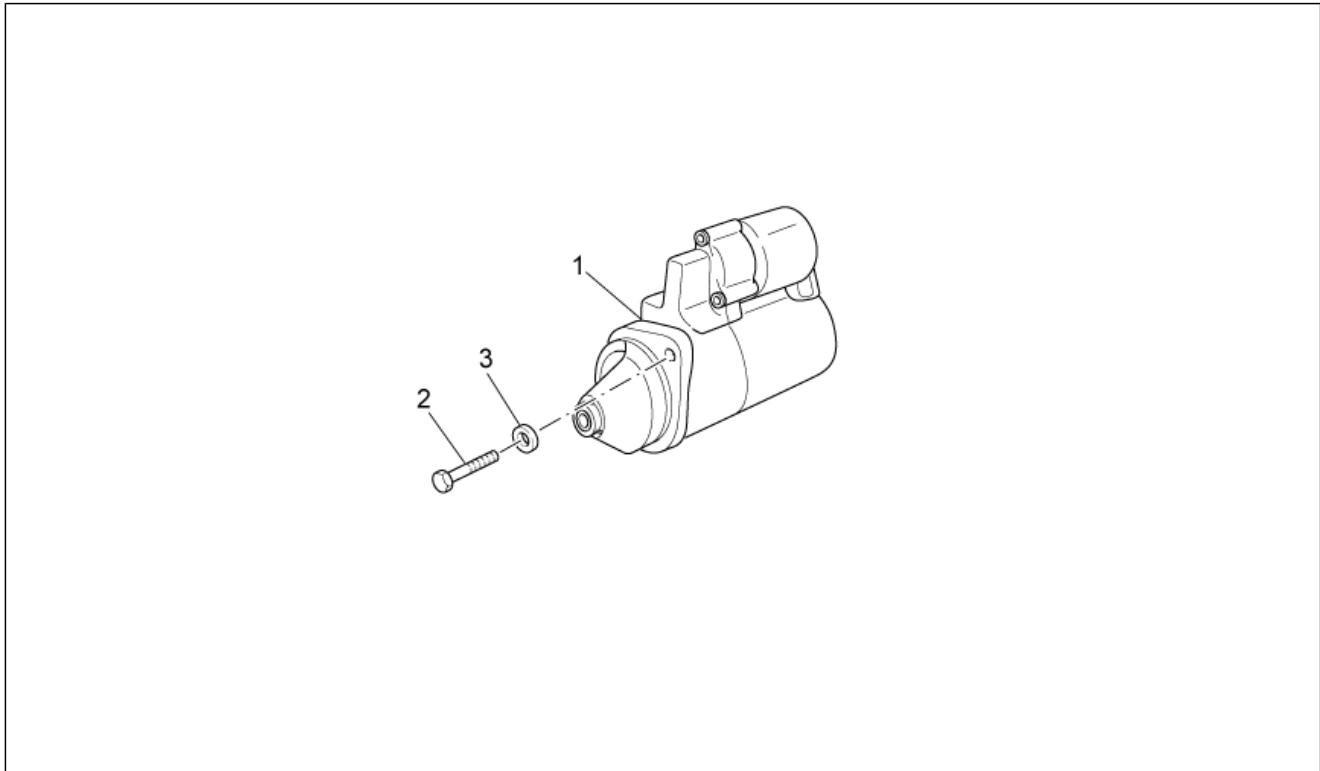
Pos.	Code	Beschrijving	Aant.	Varianten
1	GU32234410	Shift cam	1	
2	GU19234600	Pin	4	
3	GU90274026	Elastische ring	1	
4	GU32231210	Vork AP	1	
5	GU32231010	Vork AS	2	
6	GU32233010	Rol	3	
7	GU98350312	Bolbout met binnenzeskant M6x12	1	
8	GU32236210	Voorschakelaar cpl.	1	
9	GU20208520	Afstandhouder	1	
10	GU32238210	Trekveer schakelaar	1	
11	GU32234710	Hendel	1	
12	GU32234810	Sluitring	1	
13	GU32234110	Veer	1	
14	GU32235710	Plaat	1	
15	AP8152166	Bout M6x16	2	
16	GU32234910	Sluitring 6,4x20x1	1	
17	GU14217901	Gekart. sluitring 6,4x10x0,7	2	

Groep	ENGINE
Code	34.45
Beschrijving	Generator - Regulator
Revisie	1



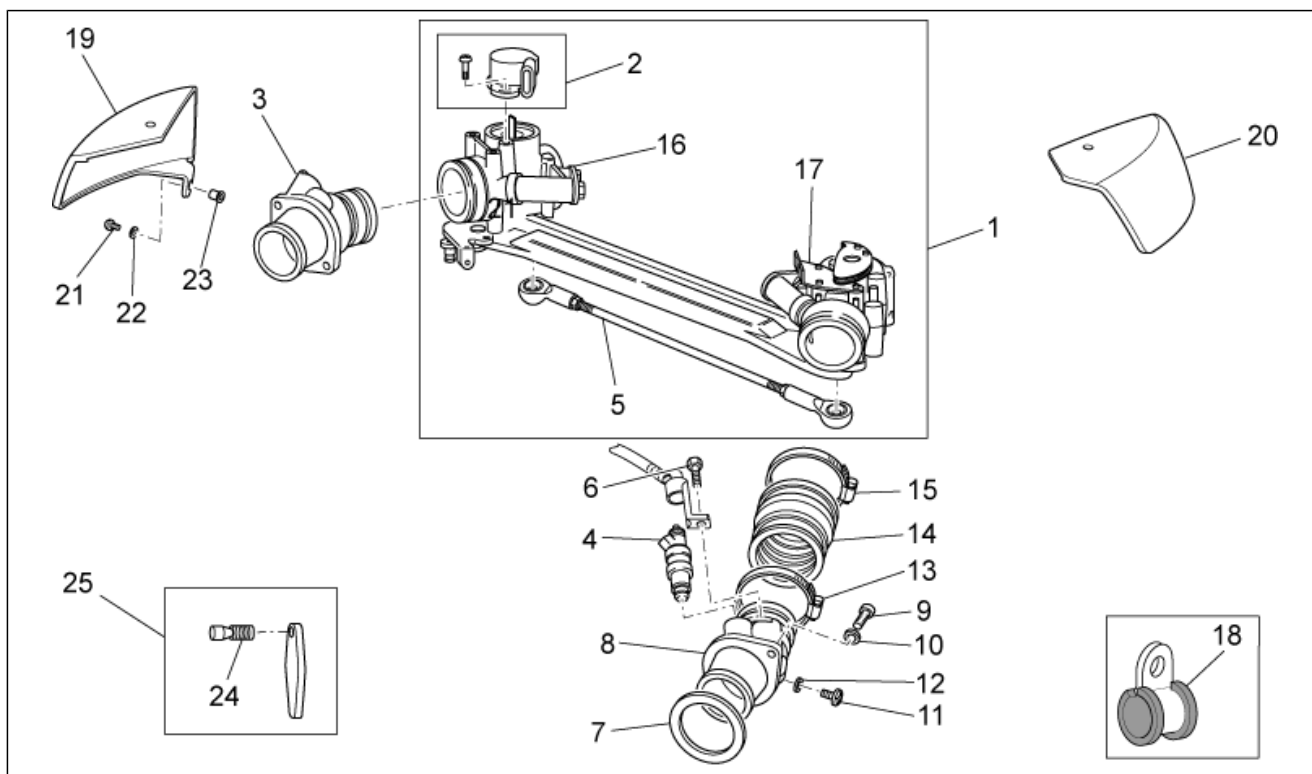
Pos.	Code	Beschrijving	Aant.	Varianten
1	883877	Alternator	1	
2	883878	Spanningsregelaar 35A	1	
3	GU30714201	Sluitring 16,25x24,5x5	1	
4	GU92606516	Moer M16	1	
5	GU29711460	Kap voor.	1	
6	GU98680265	Binnenzeskantbout	3	
7	GU29217960	Sluitring 5,9X3X0,8	3	
8	GU19007700	Rubbertje	1	
9	GU31712365	Afstandhouder	1	
10	GU91600450	Sluitwig	1	
11	GU29711960	Kap acht.	1	
12	AP8152281	Zeskantbout geflenst	2	
13	GU28576591	Clip M6	2	
14	GU95100125	Sluitring	2	

Groep	ENGINE
Code	34.46
Beschrijving	Starter motor
Revisie	1



Pos.	Code	Beschrijving	Aant.	Varianten
1	GU05730730	Startmotor Bosch	1	
2	GU98082435	Zeskantbout M8x35	2	
3	GU95008208	Sluitring 8,4X15X1,5	2	

Groep	ENGINE
Code	34.47
Beschrijving	Throttle body
Revisie	1



Pos.	Code	Beschrijving	Aant.	Varianten
1	GU32112510	Groep smooklephuizen	1	
2	GU05112830	Potentiometer	1	
3	GU32115010	Pijp aanz. re	1	
4	GU32115710	Injector cpl.	2	
5	GU32530509	Staaf	1	
6	AP8152298	Bolbout met binnenzeskant, geflenst M5x16	2	
7	GU32115510	Pakking	1	
8	GU32115011	Pijp aanz. li	1	
9	GU98682322	Binnenzeskantbout M6x22	4	
10	GU03013800	Sluitring 6,4x12	4	
11	GU98310609	Bout M6x10	2	
12	GU95100116	Sluitring 6,25x10x1,5	2	
13	GU93305057	Klemmetje 57x59,5x10	2	
14	GU32114310	Mof	2	
15	GU93305061	Klemmetje 61/65,5	2	
16	GU32112610	Smooklephuis re	1	
17	GU32112611	Smooklephuis li	1	
18	GU32718010	Klemmetje	2	
19	978938	Bedekking re verchr.	1	
20	978939	Bedekking li verchr.	1	
21	GU98370515	Bout	4	
22	GU30577800	Sluitring in nylon 5,5X12X1	4	
23	GU93231605	Huls antitrilling	4	
24	GU97270212	Trekbout	1	
25	GU973221100027	Kit plaatje	1	